

## Subject: Integris® Light (P005196) Installation Instructions

---

Tools required:	Screwdriver	Level
	Tape measure	Wire strippers
	T-square	Pliers
Parts required:	Electrical fittings	Wire nuts
	Self-start screws	Toggle bolts
	Star washer	
	M21020072, bag assembly, P005196 1 gang mud ring (for installation on the Basis® Wall Panel System)	

### Introduction

The Integris®<sup>1</sup> Light (P005196) supplies indirect light and a flip-over procedural light. The Integris® Light also has an added safety function that will shut off the power to the bed if an IV rod or a piece of traction equipment touches the light fixture.

The Integris® Light is available as a 36" (91 cm) (see figure 1 on page 3) and 48" (122 cm) (see figure 2 on page 3) fluorescent fixture with three lamps.

### General Information



#### WARNING:

Make sure to follow all national and local building and electrical codes when you do this installation. Install these products in accordance with the National Fire Protection Association®<sup>2</sup> NFPA 70: *National Electrical Code*® and NFPA 99: *Health Care Facilities*. In Canada, install in accordance with Canadian Standards Association (CSA®<sup>3</sup>) Parts - 1 and 2 of the *Canadian Electrical Code* (CSA-22.1 and CAN/CSA-C22.2) and CSA-C22.2 No. 601.1. Failure to install the unit in accordance with these requirements could cause injury and equipment damage.

- 
1. Integris® and Basis® are registered trademarks of WittRock Services, Inc.
  2. National Fire Protection Association® and National Electrical Code® are registered trademarks of National Fire Protection Association, Inc.
  3. CSA® is a registered trademark of Canadian Standards Association, Inc.



As manufactured, the Integris® Light (P005195) is cULus Classified (PIDF and PIDF7) to UL 60601-1: Medical Electrical Equipment and is compliant to these codes and standards:

For USA installations:

- National Fire Protection Association®  
NFPA 99: *Health Care Facilities*
- NFPA 70: *National Electrical Code*® (NEC)
- Part-18 in Title-47 of the *US Code of Federal Regulations* (47CFR-18)
- California seismic requirements of the State of California Office of Statewide Health, Planning and Development (OSHPD) 2010 Building Code

For Canadian installations:

- Canadian Standards Association (CSA®) Parts - 1 and 2 of the *Canadian Electrical Code* (CSA-22.1 and CAN/CSA-C22.2) and CSA-22.2 No. 601.1



**WARNING:**

Read all the installation instructions before you install the Integris® Light fixture. Failure to do so could cause injury and damaged equipment.

1. Read all of the installation instructions before you install the light fixture.
2. Make sure all applicable trades persons are available for the installation of the light fixture.



**WARNING:**

Keep weather insulation at least 3.00" (7.62 cm) from the Integris® Light. Failure to do so could cause injury or damaged equipment.

## Electrical Ratings

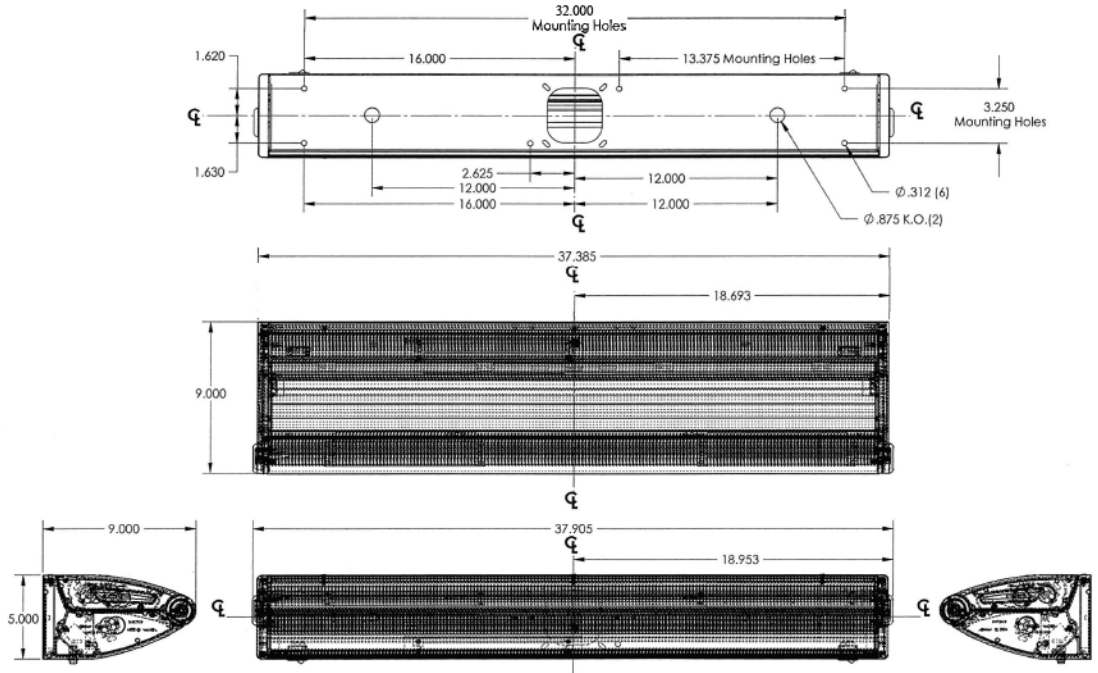
Electrical ratings (read the specified voltage value from the device label):

Line voltage: 120 V AC, 60 Hz

or

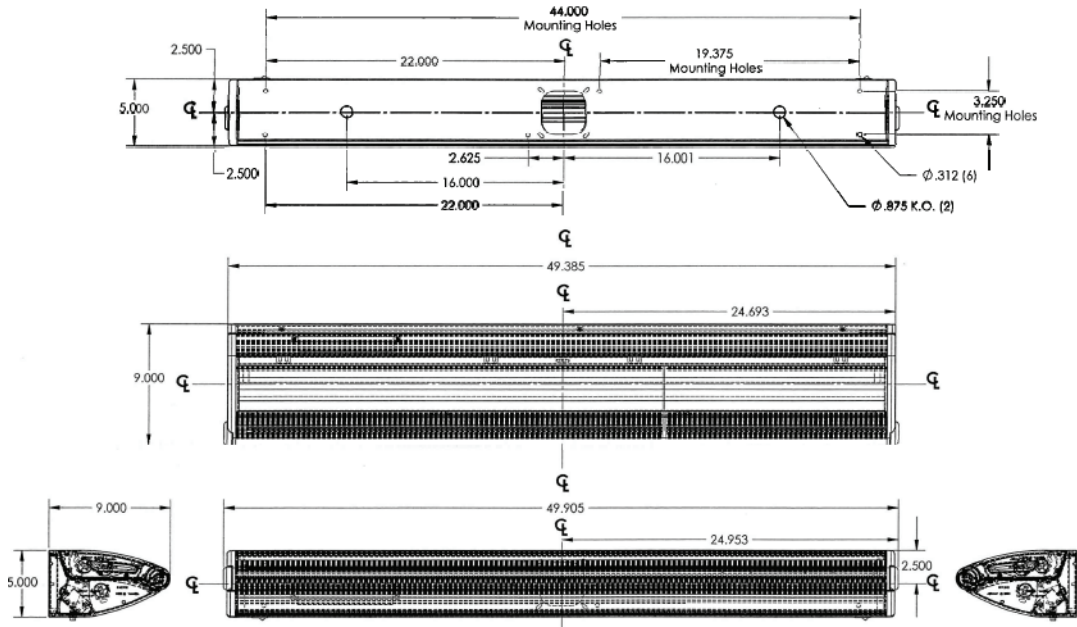
277 V AC, 60 Hz

**Figure 1. Integris® Light 36" (91 cm)**



151224\_1\_001

**Figure 2. Integris® Light 48" (122 cm)**



151224\_1\_002

## Which Instructions to Use

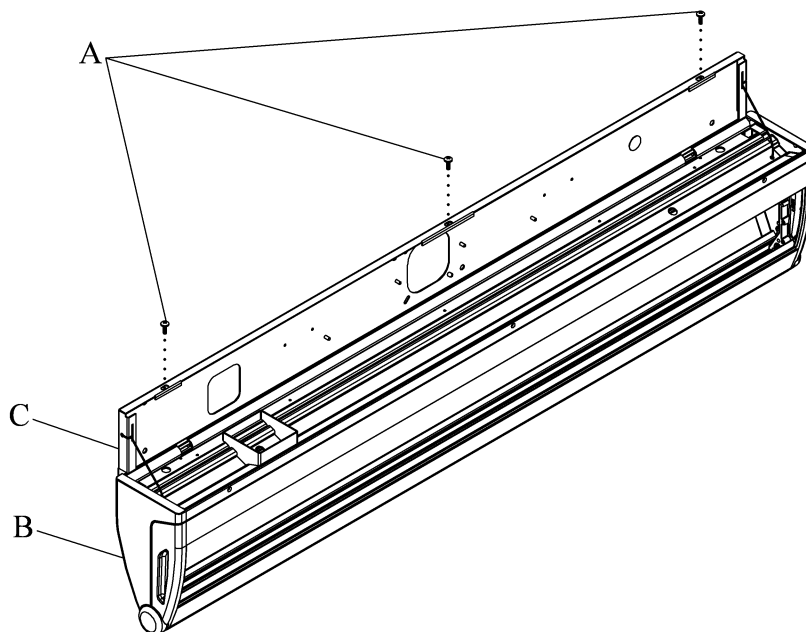
- For an installation on dry wall or plaster—go to page 4.
- For an installation on the Wall Panel System—go to page 11

## Installation on Dry Wall or Plaster

### Remove the Baseplate

1. Loosen and remove the three screws (A) at the top of the Integris® Light fixture assembly (B) (see figure 3 on page 4).
2. Open the baseplate (C).
3. Remove the baseplate (C) from the Integris® Light fixture assembly (B).

**Figure 3. Remove the Baseplate**



151224\_1\_003

## Mount the Baseplate

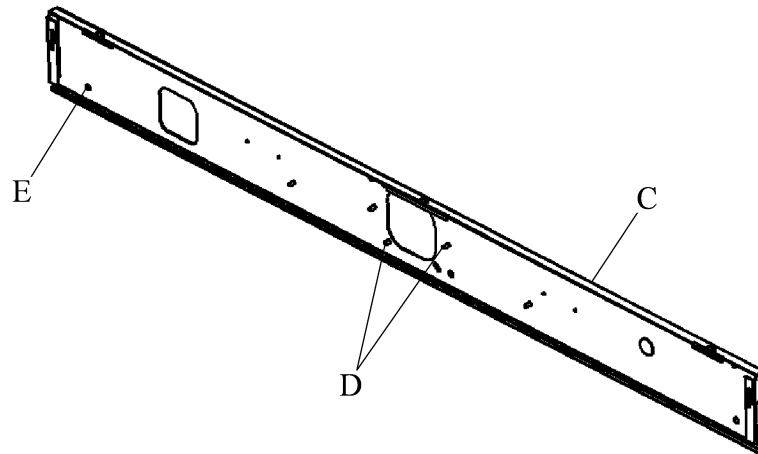


### WARNING:

Do not mount the baseplate to the electrical junction boxes. To do so can cause injury and equipment damage.

1. Refer to the as-built drawings and find the desired location for the Integris® Light (see figure 4 on page 5).
2. Put the Integris® Light 69" (175 cm) above the floor to the centerline of the baseplate (C).
3. Put the baseplate (C) with the obround holes (D) to the top of the baseplate.
4. Use the baseplate (C) as a template and make a mark at the six pilot holes (E) on the mount surface.

Figure 4. Mount the Baseplate



151224\_1\_004

5. If the baseplate (C) is to be mounted on drywall, find the wall studs, and use the six self start screws to mount the baseplate on the wall studs.
6. If the baseplate (C) is to be mounted on plaster, use the six toggle bolts to mount the baseplate on the wall.

## Install the Integris® Light Fixture on the Baseplate



### **WARNING:**

Remove the facility power to the electric power supply leads before you install the Integris® Light. Failure to do so could cause death or injury.

1. Remove the power to the electric power supply leads before you install the Integris® Light assembly to the facility power supply circuits.
2. Align the angle flange of the baseplate (C) with the bottom of the Integris® Light fixture assembly (B) (see figure 3 on page 4).
3. Turn the Integris® Light fixture assembly (B) to attach the baseplate (C) on the Integris® Light fixture assembly (B).
4. Tighten the three screws (A).

## Install the Lamps

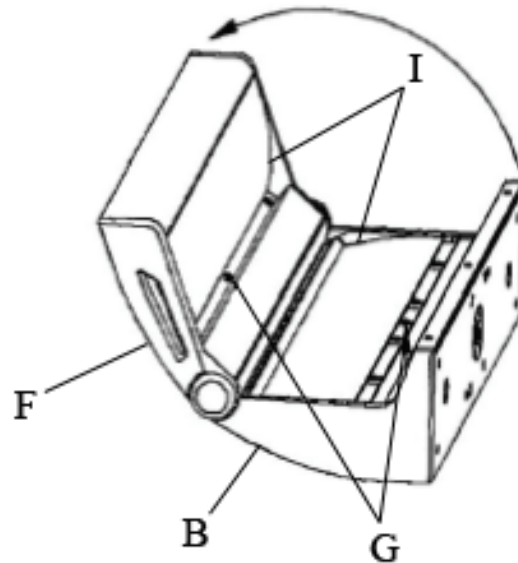


### **CAUTION:**

Do not remove the lens to install the lamps. To do so can cause damage to the equipment.

1. Open the lamp section (F) of the Integris® Light fixture assembly (B) (see figure 5 on page 7).
2. Remove the two reflector removal screws (G).
3. Remove the labeled reflectors (I).
4. Install the two 25WT8 lamps (36" (91 cm) light) or three 32WT8 (48" (122 cm) light) lamps.

**Figure 5. Install the Lamps**



151224\_1\_006

5. Install the labeled reflectors (I) and tighten the reflector removal screws (G).
6. Close the lamp section (F).

#### **Connect Power to the Light Fixture Assembly**



#### **WARNING:**

Remove the facility power from the electric power supply leads before you connect the Integris® Light power wires. Failure to do so could cause death or injury.

1. Disconnect facility power to the electric power supply leads.
2. Connect the Integris® Light fixture assembly power leads to the power supply leads. Use the correct size of connectors that are applicable for the gauge and number of wires (not included) that you connect. Refer to the as-built drawing for the wiring diagram.
3. Use a star washer to ground the baseplate to an electrical ground and make a redundant ground.

#### **NOTE:**

Make connections in the junction box, not the fixture. Refer to the as-built drawing for the wiring diagram.

**NOTE:**

If a low-voltage controller is necessary, make the low-voltage connections in the junctions and not in the fixture. Refer to the as-built drawing for details.



**WARNING:**

Make sure all national and local building and electrical codes are followed when you do this installation. These products are to be installed in accordance with the NFPA 70: *National Electrical Code*®, NFPA 99: *Health Care Facilities*, Canadian Standards Association (CSA®) Parts - 1 and 2 of the *Canadian Electrical Code* (CSA-22.1 and CAN/CSA-C22.2), and CSA-C22.2 No. 601.1. Failure to install the unit in accordance with these requirements could cause injury and equipment damage.

4. Connect the Integris® Light in accordance with all national, state or provincial, and local building and electric codes, and one of the electrical power connection wiring diagrams as follows:
  - Option 1—120 V AC, a pull-chain switch controls the ambient and reading light
  - Option 2—120 or 277 V AC, a low-voltage pillow speaker switch controls the ambient and reading light
  - Option 3—120 or 277 V AC, a wall switch controls the ambient light and a low-voltage pillow speaker controls the reading light
  - Option 4—120 V AC, a wall switch controls the ambient light and a pull-chain switch controls the reading light

**NOTE:**

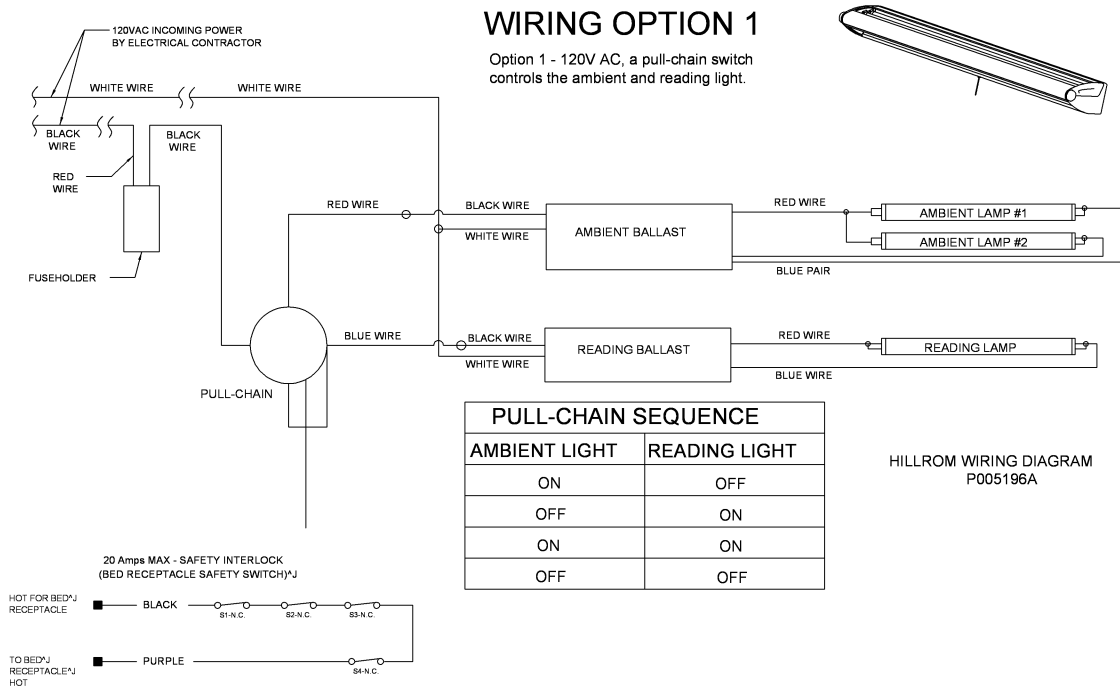
Make the supply connections to one circuit.

**NOTE:**

The pull chain is only available on the Integris® Light in the 120 V configuration.

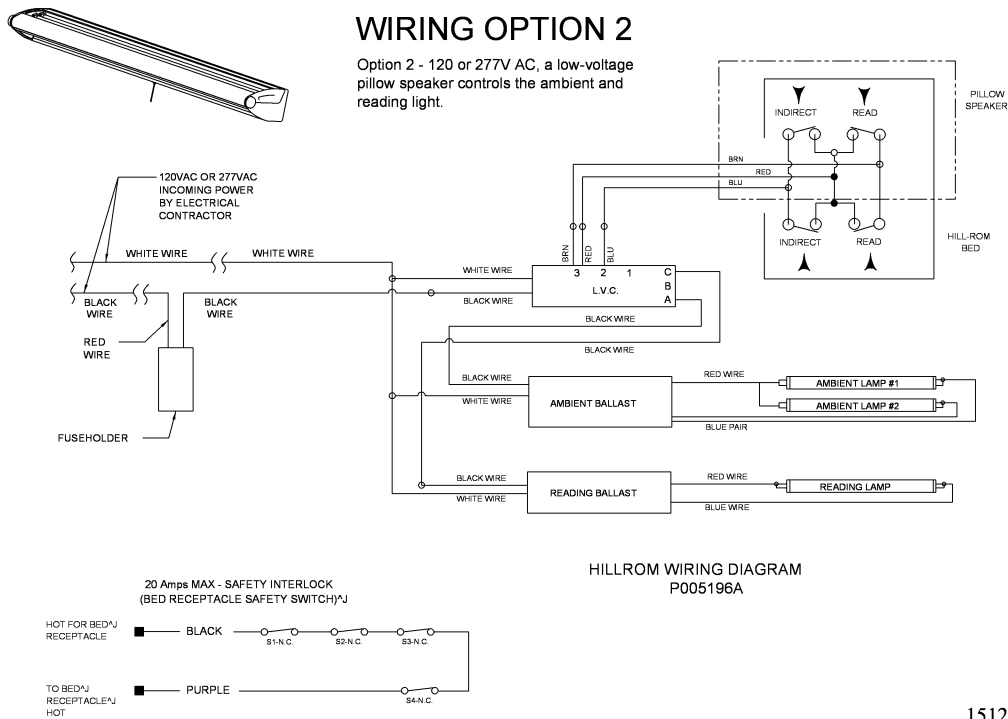


**Figure 6. Integris® Power Connection Diagram—Option 1**



151224\_2\_008

**Figure 7. Integris® Power Connection Diagram—Option 2**



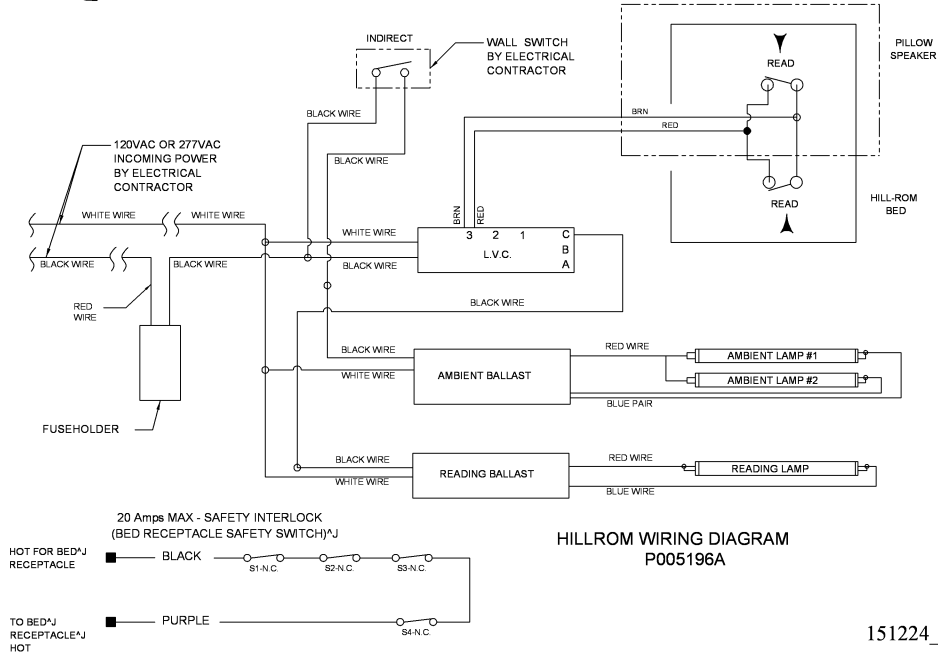
151224\_2\_009

**Figure 8. Integris® Power Connection Wiring Diagram—Option 3**



**WIRING OPTION 3**

Option 3 - 120 or 277V AC, a wall switch controls the ambient light and a low-voltage pillow speaker controls the reading light.

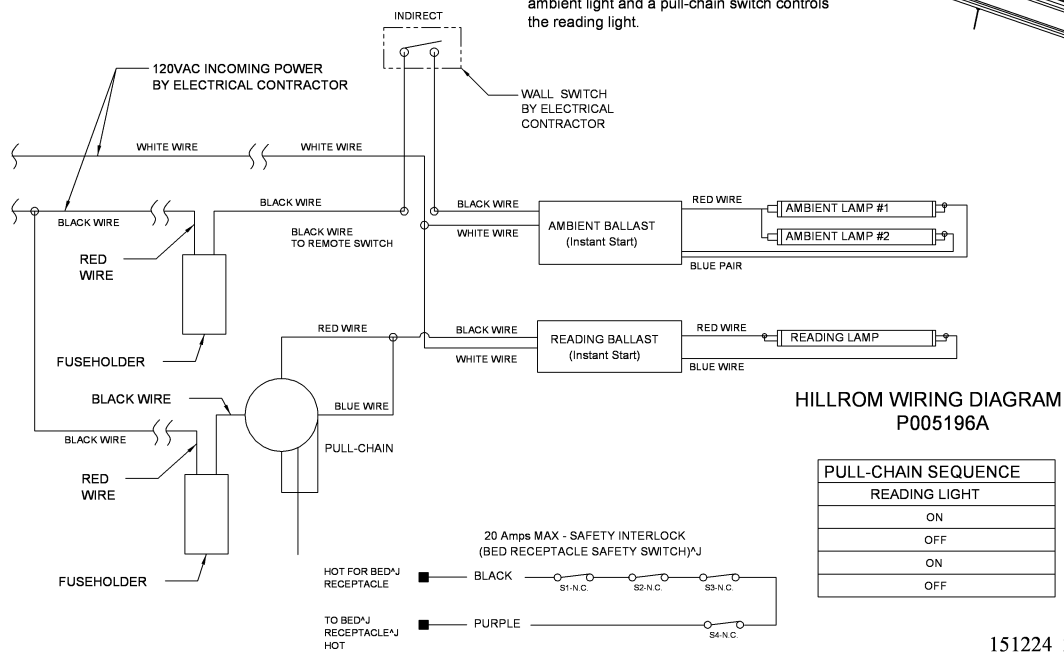
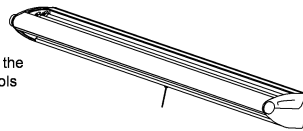


151224\_2\_010

**Figure 9. Integris® Power Connection Wiring Diagram—Option 4**

**WIRING OPTION 4**

Option 4 - 120V AC, a wall switch controls the ambient light and a pull-chain switch controls the reading light.



151224\_2\_011

## Installation on the Wall Panel System

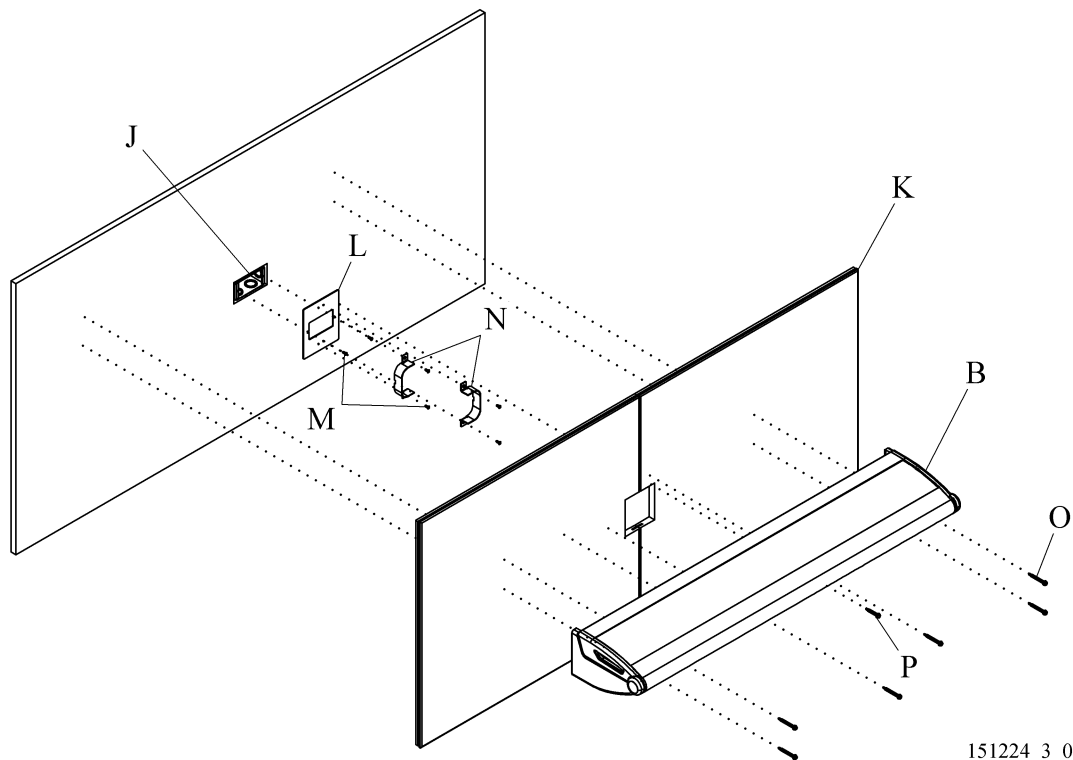
1. Install the Wall Panel System up to the wall box location for the light in accordance with WittRock instruction 181298, *Basis® Wall Panel System—Installation with the Basis® Headwall System*.
2. Measure the distance from the edge of the Wall Panel System to the wall box (J) in the dry wall (see figure 10 on page 11).
3. Mark the location for the wall box (J) on the wall panel (K) that is to be installed over the wall box.
4. Remove that panel (K) from the wall.
5. Cut a 2.5 x 4" (6.35 x 10.16 cm) opening in the wall panel (K) for access to the wall box (J).

**NOTE:**

The wall panel will be replaced later on in the procedure.

6. Remove the light fixture assembly (B) from the shipping container.

**Figure 10. Installation**



151224\_3\_012



**WARNING:**

Do not install the patient light on metal studs that are less than 16-gauge steel. Personal injury or equipment damage could occur.

7. Make sure the thickness of the metal studs behind the wall is not less than 16-gauge steel.



**WARNING:**

Make sure no electrical power is supplied to the wall boxes. Personal injury or equipment damage could occur.

8. Make sure the electrical power is off at the wall box (J) before the light fixture assembly (B) is installed.
9. Put the face ring (L) into position on the wall box (J), and install two screws (M) to attach the face ring to the wall box.
10. Put the wall panel sleeves (N) into position on the face ring (L), and install four screws (M) through the wall panel sleeves and into the flanges of the face ring.
11. Put the wall panel with the cutout (K) into position on the Wall Panel System.
12. Determine the correct location for the light fixture assembly (B). Refer to the as-built drawings.
13. Put the light fixture assembly (B) on the wall.
14. Using a level, make sure the light fixture assembly (B) is level.
15. Install the six screws (O) through the light fixture assembly (B) and into the studs in the wall.
16. Install the self-drilling hex head screw (P) through the light fixture assembly (B), wall panel (Y), and the face ring (W) to supply redundant grounding.
17. Make all wiring connections, according the National Electrical Code® standards, from the wall box (J) to the light fixture assembly (B).

**NOTE:**

Refer to the wiring diagram on the inside of the light.

18. If there is a receptacle wired to safety switches located on the mounting wall, install the blue faceplate cover engraved “FOR BED USE ONLY, NO LIFE SUPPORT EQUIPMENT” that is supplied with the light.
19. Complete the Wall Panel System installation in accordance with WittRock instruction 181298, *Basis® Wall Panel System—Installation with the Basis® Headwall System*.