

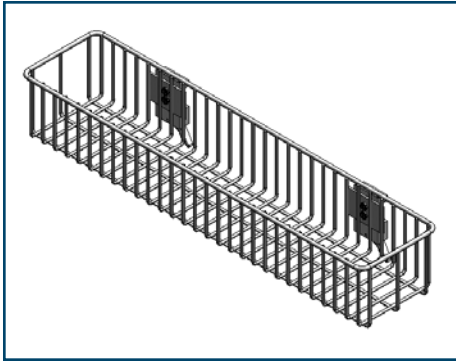
**WITTRÖCK**

HEALTHCARE

# *Elements<sup>®</sup> Headwall Accessories Catalog*

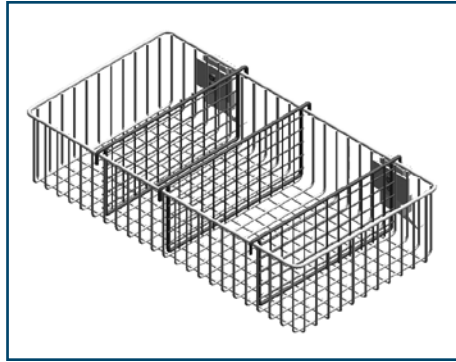


**Elements® Headwall**  
**Options and Accessories**



**Basket**

Product No. P17010102  
21<sup>3</sup>/<sub>8</sub>" W x 27<sup>7</sup>/<sub>8</sub>" D x 4<sup>5</sup>/<sub>16</sub>" H  
Functional Loading to 5 lbs



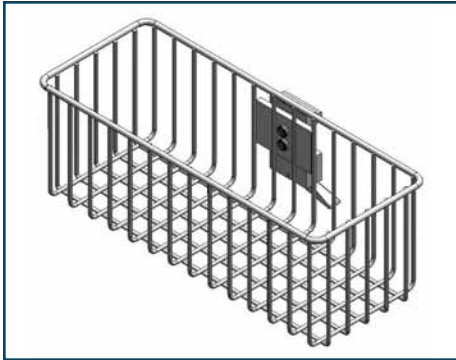
**Basket**

Product No. P17010202  
18" W x 9<sup>1</sup>/<sub>2</sub>" D x 4" H  
Functional Loading to 10 lbs



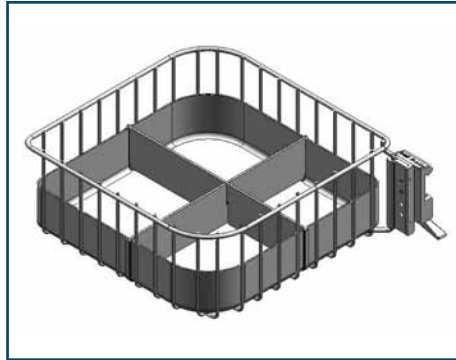
**Basket**

Product No. P17010302  
6<sup>1</sup>/<sub>2</sub>" W x 5<sup>1</sup>/<sub>2</sub>" D x 5" H  
Functional Loading to 5 lbs



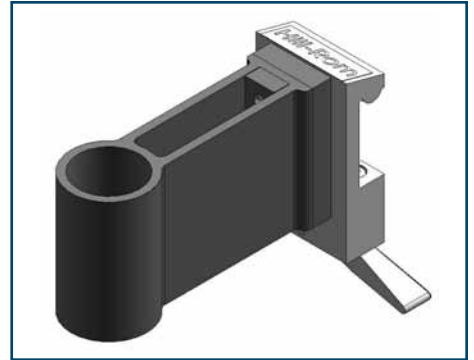
**Basket**

Product No. P17010402  
11" W x 4" D x 4" H  
Functional Loading to 5 lbs



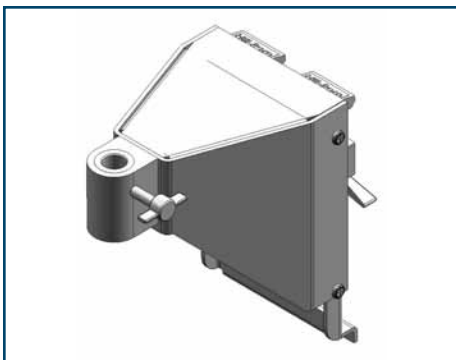
**Basket – Pivoting**

Product No. P17010501  
9<sup>9</sup>/<sub>16</sub>" W x 9<sup>9</sup>/<sub>16</sub>" D x 4" H  
Functional Loading to 5 lbs



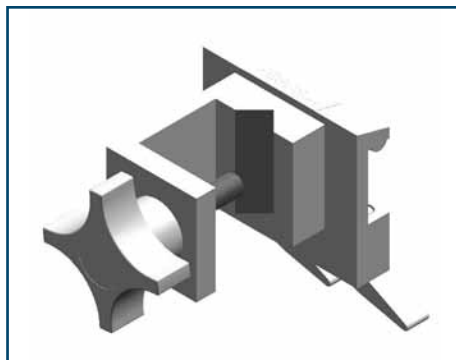
**Universal Holder**

Product No. P17000601



**ISS Transfer Pole Mount**

Product No. P17000101



**Universal Pole Holder**

Product No. P17000701



**IV Holder**

Product No. P17001001

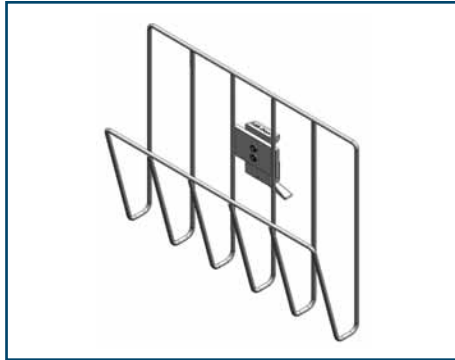
**Elements® Headwall**  
**Options and Accessories**



**ISS Transfer Pole**

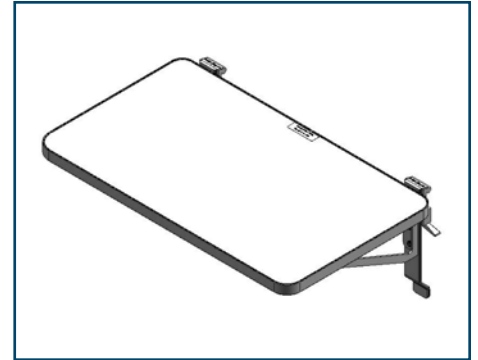
Product No. P158A

\* Requires Mount P17000101 or P17000701



**Chart Holder**

Product No. P17011101

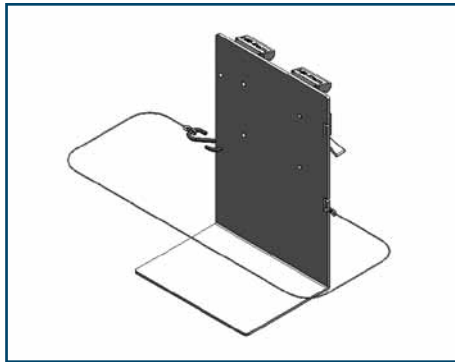


**Utility Shelf**

Product No. P17020101

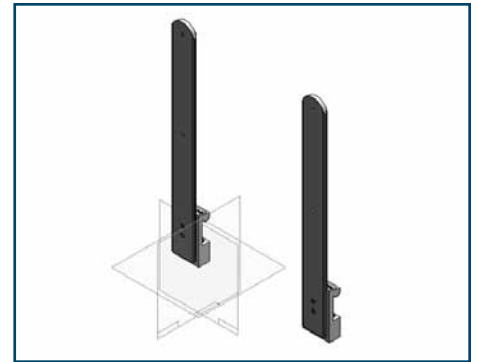
20<sup>3</sup>/<sub>8</sub>" W x 12<sup>1</sup>/<sub>8</sub>" D

Safe working load of 50 lbs



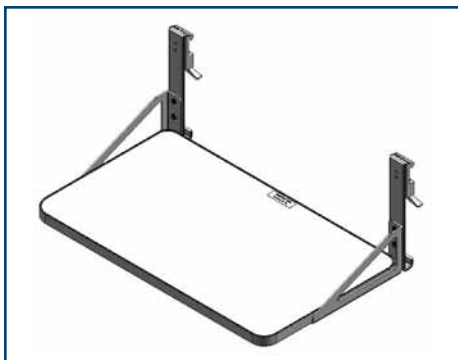
**Sharps Container Mount**

Product No. P17012001X04



**Sharps Container**

Product No. P17012002X02

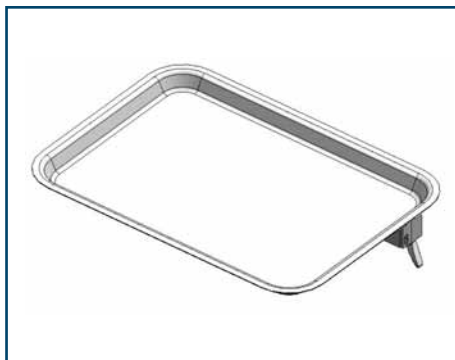


**Charting Shelf**

Product No. P17020101 or P17020201

20<sup>3</sup>/<sub>8</sub>" W x 12<sup>1</sup>/<sub>8</sub>" D

Safe working load of 50 lbs

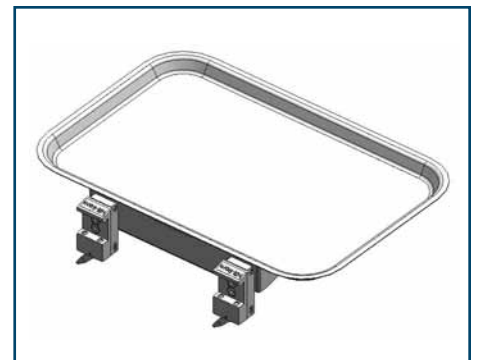


**Small Mayo Tray**

Product No. P17020301

13<sup>5</sup>/<sub>8</sub>" W x 9<sup>3</sup>/<sub>4</sub>" D

Safe working load of 15 lbs



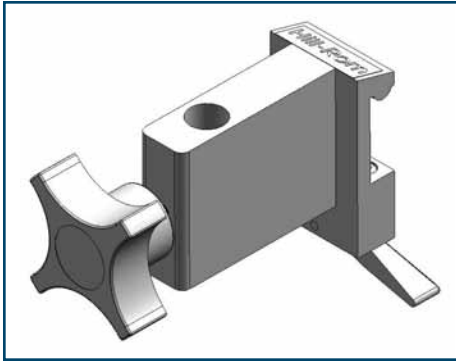
**Large Mayo Tray**

Product No. P17020401

17<sup>1</sup>/<sub>8</sub>" W x 11<sup>5</sup>/<sub>8</sub>" D

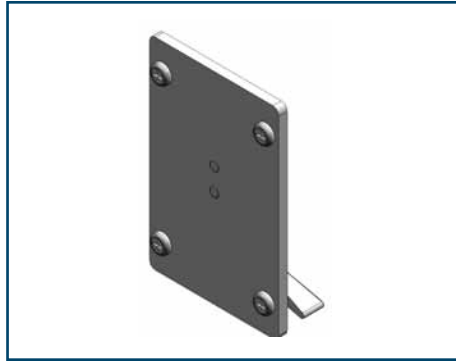
Safe working load of 15 lbs

Elements® Headwall  
Options and Accessories



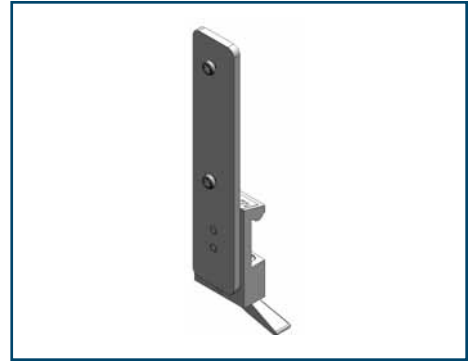
**Universal Light Mount**

Product No. P17030701



**Integrated Diagnostic System - 747**

Product No. P17040201



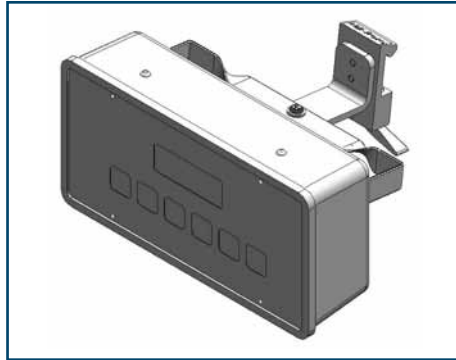
**Speculum Mount**

Product No. P17040401



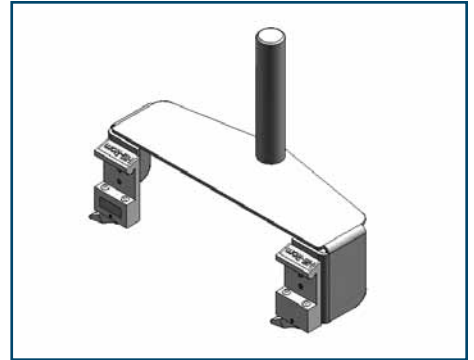
**Utility Hook**

Product No. P17041801



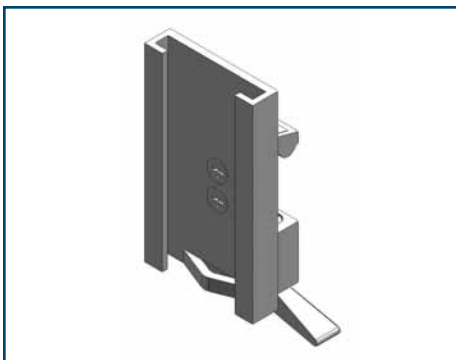
**Stat Clock Timer**

Product No. P17044001



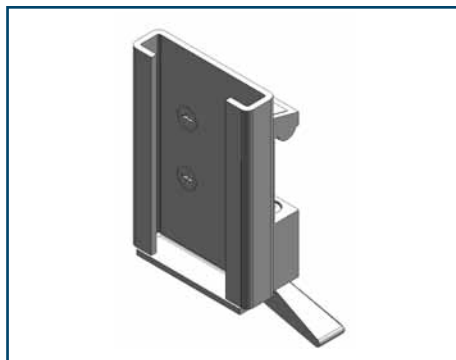
**Satelite Rack Mount**

Product No. P17050402



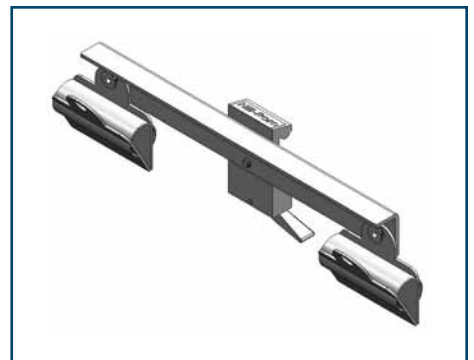
**Standard Slide Adapter**

Product No. P17070101



**Bird™ Blender Slide**

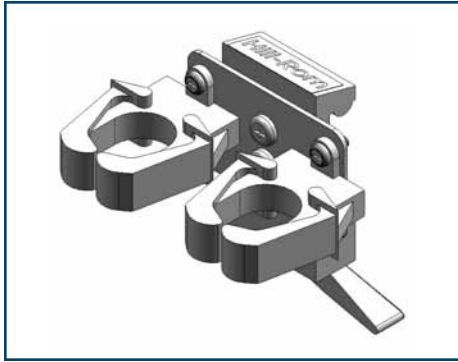
Product No. P17070201



**Dual Clip Assembly**

Product No. P17071001

**Elements® Headwall  
Options and Accessories**



**Cable Organizer**

Product No. P17072001



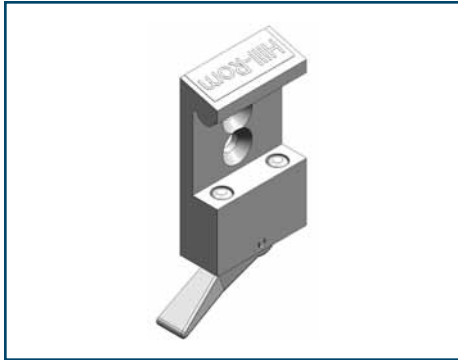
**Vertical Cord Wrap**

Product No. P17073001



**Horizontal Cord Wrap**

Product No. P17073101



**Standard Cam Adapter**

Product No. P17074001



**Shelf**

Product No. P53301021000

13 3/4" W x 13 1/4" D

Safe working load of 15 lbs



**Shelf**

Product No. P53301051000

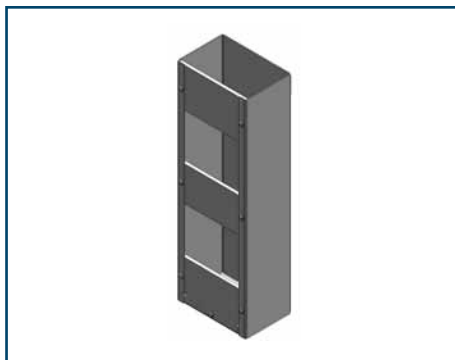
19 1/2" W x 13 1/4" D

Safe working load of 15 lbs



**Cuff Basket with Mount**

Product No. P53311030000



**Glove Box Holder**

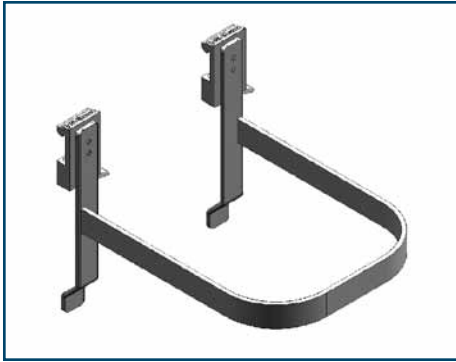
Product No. P53321207000



**Integrated Diagnostic  
System – 767**

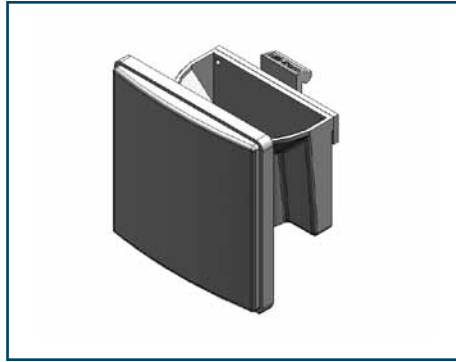
Product No. P53321210000

**Elements® Headwall  
Options and Accessories**



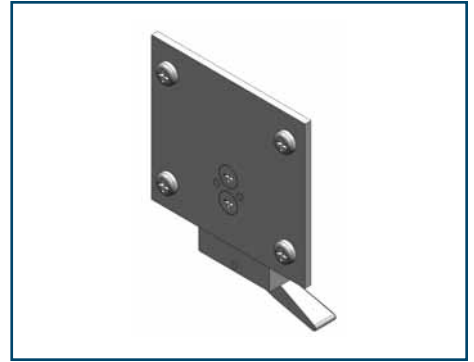
**Gas Outlet Guards**

- Product No. P17090108  
Gas Outlet Guard Assembly – 8"
- Product No. P17090112  
Gas Outlet Guard Assembly – 12"
- Product No. P17090116  
Gas Outlet Guard Assembly – 16"
- Product No. P17090120  
Gas Outlet Guard Assembly – 20"
- Product No. P17090124  
Gas Outlet Guard Assembly – 24"
- Product No. P17090128  
Gas Outlet Guard Assembly – 28"
- Product No. P17090132  
Gas Outlet Guard Assembly – 32"
- Product No. P17090136  
Gas Outlet Guard Assembly – 36"
- Product No. P17090140  
Gas Outlet Guard Assembly – 40"



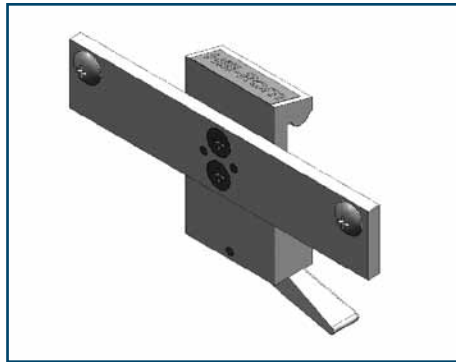
**Blood Pressure Gauge  
(Welch Allyn 767)**

Product No. P17041201X01  
NOTE: Requires P54000863000



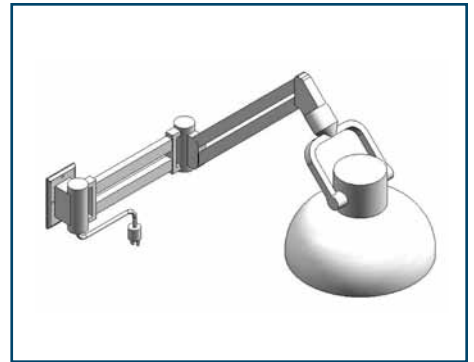
**Blood Pressure Gauge  
Mount (Tycos 5091-38)**

Product No. P53321213000



**Blood Pressure Gauge  
Mount (Welch Allyn 767)**

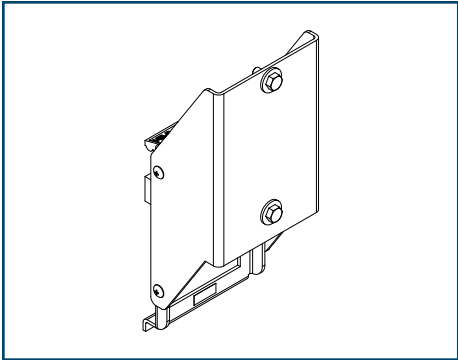
Product No. P54000863000



**Prima Light**

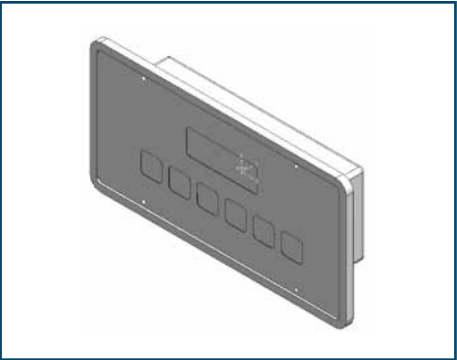
Product No. P7925D120W  
NOTE: Requires P17030202 or another mount

**Elements® Headwall  
Options and Accessories**



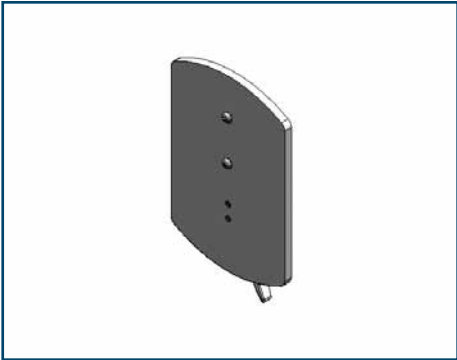
***Procedural Light Mount,  
Integris***

Product No. P17030202



***STAT Clock – Timer,  
Panel Mount***

Product No. P967B00



***Kendall Filac –  
Thermometer Mount***

Product No. P005847



***Resuscitator Holder***

Product No. P53321121000

WittRock reserves the right to make changes without notice in design, specifications and models. The only warranty WittRock makes is the express written warranty extended on the sale or rental of its products.

©2012 WittRock Services, Inc. ALL RIGHTS RESERVED. ORDER NUMBER 158054 rev 4 E ENG – US  
11/30/2012

[www.wittrockhc.com](http://www.wittrockhc.com)

812.222.0373

