

TECHNICAL DATA SHEET

Index

- General
- Submittals and Verifications
- Product Description
- Materials and Construction
- Optional Equipment and Devices

Figure 1. P0052B Bed Locator

P0052B1 Bed Locator



P0052B2/3 Medical Headboard



P0052B4 Integrated Bed Locator



General

The P0052B Bed Locator shall be UL-Listed for the United States (KEZR and KEXS) and Canada (KEZR7 and KEXS7) by Underwriters Laboratories Inc.®. These products shall additionally comply with the National Fire Protection Association® (NFPA) NFPA70 National Electric Code® (NEC) and NFPA99 'Health Care Facilities' code, Parts - 1 and 2 of the Canadian Electrical Code (CSA-C22.1 and CAN/CSA-C22.2 No. 0-M91 respectively, by the

Canadian Standards Association), and the seismic requirements for the State of California (OSHPD). The DC Power Supply of the P0052B3 Ergonomic Bed Locator, shall also comply with the Class-A requirements of Part-15 in Title-47 of the U.S. Code of Federal Regulations (47CFR-15), and the Class-A requirements of Industry Canada ICES-003.

Responsibilities under this section of specifications shall include to furnish the P0052B Bed Locator and related equipment as shown on shop drawings. The P0052B Bed Locator shall be made to these specifications and conform to details shown on shop drawings.

The P0052B Bed Locator manufacturer shall be responsible to coordinate with the architect and manufacturers of equipment not supplied by the P0052B Bed Locator manufacturer to make sure the locator is compatible with the equipment.

The mechanical contractor shall provide the primary services and make connections to appropriately installed mechanical equipment of the P0052B Bed Locator as shown on plans and as herein specified.

The electrical contractor shall install the P0052B Bed Locator and related equipment, wiring and conduit, and make necessary connections as shown on the plans and as herein specified.

Installation must be completed in accordance with WittRock Installation Instructions, NFPA70 (NEC) and NFPA99 for United States installations (CSA-C22.1, CAN/CSA-C22.2 No. 0-M91 and CAN/CSA-Z318.0 for Canada), as well as all applicable state and local codes.

After installation, equipment must be examined and tested by the installing contractor under operating conditions to determine that each component of the assembly has been installed correctly and functions properly.

The manufacturer shall examine and test each unit for compliance with specification requirements. Such inspections as set forth in this specification, or otherwise necessary, are done to make sure the equipment conforms to specifications.

1. Underwriters Laboratories Inc.® is a registered trademark of Underwriters Laboratories Inc.
2. National Fire Protection Association® and National Electric Code® are registered trademarks of National Fire Protection Association, Inc.

TECHNICAL DATA SHEET

Submittals and Verifications

Shop drawings shall be submitted in accordance with supplemental, general, and special conditions of specifications and contract documents.

The P0052B Bed Locator manufacturer shall submit complete detailed shop drawings that show items in plan and elevation within 30 days of contract award. Shop drawings shall show dimensions and details of construction, installation, and the interfacing to related services that require cutting or close fitting.

Manufacturing fabrication shall not start until complete final approved shop drawings are received.

The P0052B Bed Locator manufacturer will provide physical samples only if specifically required and the cost of same has been negotiated.

The color and pattern of HPL are to be selected by the architect or customer from the manufacturer's standard line. The manufacturer shall submit laminate and color charts.

The P0052B Bed Locator manufacturer reserves the right to furnish the P0052B Bed Locator and its related components with improvements in design and/or material at the time of manufacture.

Product Description

The P0052B Bed Locator shall provide service for electrical power (normal and emergency) and staff and patient communications. The Bed Locator shall be surface mounted above the finished floor.

P0052B1 Bed Locator Dimensions

- 50" x 22 1/2" (127 cm x 57.2 cm), 65 lb (29.5 kg)
- height above finished floor: 7 1/8" (18.1 cm)

P0052B2/3 Medical Headboard Dimensions

- 50" x 37" (127 cm x 94 cm), 75 lb (34 kg)
- height above finished floor: 6 1/4" (15.9 cm)

P0052B4 Integrated Bed Locator Dimensions

- 50" x 24 1/2" (127 cm x 62.2 cm), 65 lb (29.5 kg)
- height above finished floor: 7 5/8" (19.4 cm)

The P0052B Bed Locator shall consist of two bumpers and a center access panel. The depth of the bumpers is 4 1/2" (11.4 cm). The depth of the wireway is 2 1/4" (5.7 cm).

Materials and Construction

Frame Members—Shall be constructed of 16 ga formed steel components and welded assemblies. The P0052B Bed Locator shall be comprised of 16 ga electrical barriers provided with knockouts. The entire structure shall be galvanized steel.

Center Access Panel—Shall be constructed of 16 ga galvanized steel.

Power Distribution Raceway—Each P0052B Bed Locator unit shall contain power distribution raceways for the connection of the incoming electrical and communication services. Each raceway shall have barriers to separate different line voltages. The pre-installed electrical equipment shall be wired through these raceways. The raceways shall be accessible through a 3/4" trade size flex conduit connected to the Integris® 2002 Headwall System or through knockouts in the back of the P0052B Bed Locator for connection to the in-wall services.

Device Cover Plates—Shall be 16 ga steel and painted to match the plastic cover. The device cover plate shall cover devices or unused 1-gang openings.

Grounding and Bonding—Shall have a ground lug provision located in each raceway. The ground lug shall be copper with compression screw, which shall accept a 4 AWG or smaller building service ground wire. The power receptacles shall have a separate ground conductor attached to the ground screw of the receptacle. The ground conductors shall be 12 AWG stranded copper wire with green color insulation. The ground conductors shall be terminated with machine applied compression fittings. The ground lug within the P0052B Bed Locator for the ground wire tie point shall make sure the frame is grounded. The frame shall not be used as the sole ground path between the power receptacles and ground lug.

Electrical Wiring—The wire for standard power and emergency power circuits shall be of type AWM/MTW, stranded copper, 600 V, insulation of flame retardant and heat resistant thermoplastic. Power circuits shall be 12 AWG and color-coded according to the wiring diagram.

Laminates—HPL shall be available from a palette of standard colors available from WittRock or other supplier.

TECHNICAL DATA SHEET

Optional Equipment and Devices

The following optional equipment and devices are available on the P0052B Bed Locator:

- Electrical Receptacles
 - Single and Duplex
 - Tamper-Resistant
 - Locking
 - Isolated Ground
- Grounding Receptacles
- Night Light
- Telephone Provision
- Patient Phone Receptacle
- SideCom®¹ Communication System Bed Interface
- Low Voltage Light Switching
- LED Night Lights on Medical Headboard

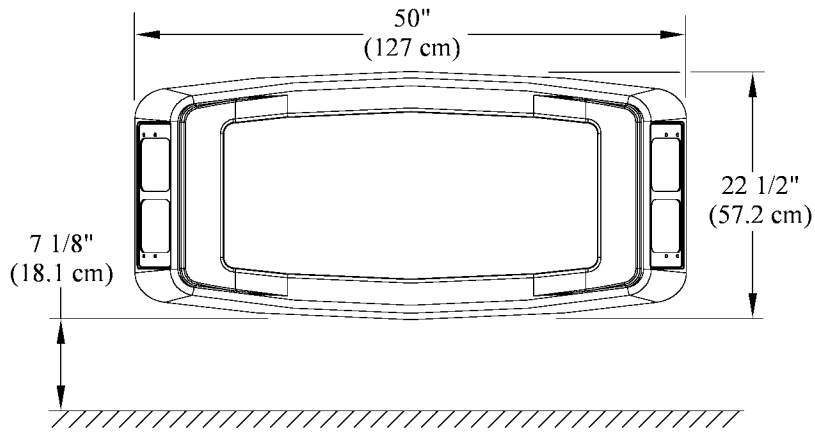
See Detailed Product Specification 140738, *Architectural Products Optional Equipment and Devices*, for details related to the above optional equipment and devices.

1. SideCom® is a registered trademark of WittRock Services, Inc.

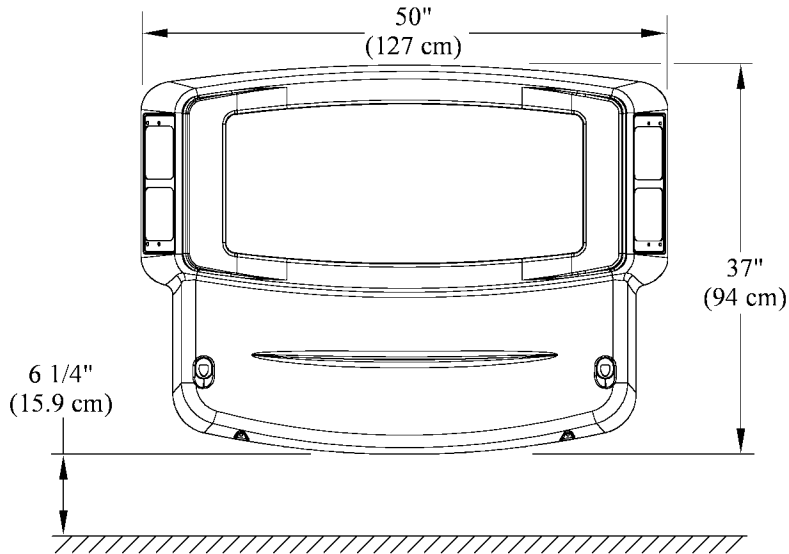
TECHNICAL DATA SHEET

Figure 2. The P0052B Bed Locator Dimensions

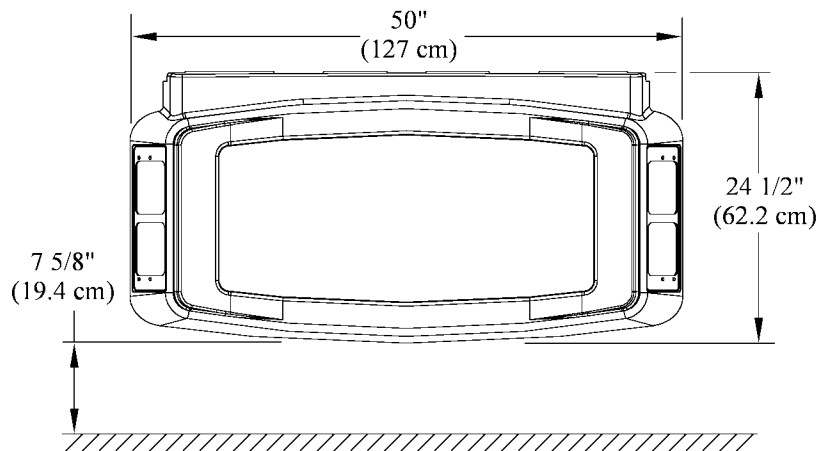
P0052B1



P0052B2/3



P0052B4



150741_1_002

TECHNICAL DATA SHEET

NOTES:

TECHNICAL DATA SHEET

8829 STATE ROUTE 46
GREENSBURG, IN 47240 USA

Customer Service: 812.222.0373
Technical Support: 812.222.0373

www.WittRockhc.com

WittRock® is a registered trademark of WittRock Services, Inc.
National Electrical Code® is a registered trademark of National
Fire Protection Association, Inc.
National Fire Protection Association® is a registered trademark of
National Fire Protection Association, Inc.
SideCom® is a registered trademark of WittRock Services, Inc.
Underwriters Laboratories Inc.® is a registered trademark of
Underwriters Laboratories Inc.
WittRock reserves the right to make changes without notice in
design, specifications, and models.

The only warranty WittRock makes is the express written warranty
extended on the sale or rental of its products.

© 2008 by WittRock Services, Inc. ALL RIGHTS RESERVED.