

**Subject: P0052 Bed Locator Installation Instructions**

---

Tools required:	Standard drill	1/4" and 5/8" diameter drill bits
	Phillips head screwdriver	Screwdriver
	5/16" hex nut driver	Tape measure
	Level	Power screwdriver
	As-built drawings	Stud finder
	Safety glasses	Broom
	Dustpan	Pencil
Parts required:	(1) 131617	Installation guide bracket
	(1) 149814	Bag assembly, Bed Locator
	(4) 50590	Screw, #6-20, oval, cross head, recessed
	(1) P005270	Flatwall Headwall System interconnect (for units installed with the <b>Flatwall Headwall System</b> only)
	(1) P2102AT0052B	Basis® <sup>1</sup> Headwall System interconnect (for units installed with the <b>Basis® Headwall System</b> only)
	(1) M21020069	Bag assembly, Bed Locator 1 gang mud ring
	149814, Bag assembly, Bed Locator, includes these items:	
	(6) 16114	Screw, #6-32 x 1/2", phillips, flat head, zinc-plated, full thread
	(6) 29591	Screw, #8, self-drilling
	(4) 5294502	Screw, #6 x 3/8", type B, truss head
	(9) 5314301	Screw, #12—self-drilling, hex head
	(6) 55408	Grommet edging, 2"
	(6) 55409	Grommet edging, 3"
	(3) 55691PL	Face ring, wall box
	(2) 50854-03	Screw
	(4) 57185	Wall anchor
	(4) 55138	Screw (for wall anchor)
	(8) 16115	Screw (installed on assembled bed locator)
	(4) 50590	Screw (installed on assembled bed locator)
	(2) 3869	Washer
	(12) 52553	Cable tie

---

1. Basis® is a registered trademark of WittRock Healthcare Services, Inc.

- P005270, Flatwall Headwall System interconnect, includes these items:
- (1) 55217 Bag assembly, interconnect
  - (1) 149457 Raceway cover, Flatwall Headwall System interconnect
  - (1) 149456 Backplate, Flatwall Headwall System interconnect
- 55217, Bag assembly, Flatwall interconnect, includes these items:
- (1) 12483 Lockwasher, #8, dish-type
  - (1) 15359 Washer, 16 gauge, unplated
  - (1) 15384 Toggle snap, 3/16", zinc-plated
  - (1) 50167 Screw, #10-24 x 3", round/cross head
  - (5) 5294502 Screw, #6 x 3/8", type B, truss head
- P2102AT0052B, Basis® Headwall System interconnect, includes these items:
- (1) 171958 Backplate, Basis® Headwall System interconnect
  - (1) 172133 Bed locator interconnect cover
  - (1) 177674 Bag assembly, Basis interconnect
- 177674, Bag assembly, Basis interconnect, includes these items:
- (2) 16115 Screw, #6-20 x 3/8", type B, flat head
  - (1) 12483 Lockwasher, #8, dish-type
  - (1) 15359 Washer, 16 gauge, unplated
  - (1) 15384 Toggle snap, 3/16", zinc-plated
  - (1) 50167 Screw, #10-24 x 3", round/cross head
  - (4) 5294502 Screw, #6 x 3/8", type B, truss head
- M21020069, Bag assembly, Bed Locator 1 gang mud ring, includes these items:
- (6) 134037 Screw, #8-32 x 1.25", type F, phillips pan head
  - (6) 16115 Screw, #6-20 x 3/8", type B, flat head
  - (9) 58551 Screw, 1/4", self-drilling, hex head
  - (3) 179179 Bed Locator, wall panel face ring
  - (6) 179178 Bed Locator, wall panel sleeve

## Introduction

These instructions are for the installation of the P0052B Locator on standard, fire-rated, or seismic-rated dry wall and with these products:

- Flatwall Headwall System (P670E)
- ImageBuilders®<sup>1</sup> Cabinet Headwall Collection (P796)
- Basis® Headwall System (P2102A)

---

1. ImageBuilders® and Basis® are registered trademark of WittRock Healthcare Services, Inc.

- Basis® Wall Panel System



**WARNING:**

Except when mounted to cabinetry (minimum 3/4" (19 mm) thick plywood or particleboard core), wall-mounted bed locators shall be mounted to walls that are constructed of 5/8" (16 mm) minimum dry wall on 20-gauge minimum steel studs that are center-spaced to a maximum of 16" (41 cm). Failure to do so could cause injury or equipment damage.

**NOTE:**

The decorative plastic cover has a Smoke Index rating between 500 and 632.

Install the bed locator in accordance with all applicable national, state or provincial, and local codes, and the latest editions of these:

For USA installations National Fire Protection Association®<sup>1</sup> (NFPA):

- NFPA 70: *National Electrical Code*® (NEC®) and NFPA 99: *Health Care Facilities*

For Canadian installations Canadian Standards Association (CSA®<sup>2</sup>) (applicable to a **stand-alone unit only**):

- CSA C22.1 and C22.2, Parts I and II of the *Canadian Electrical Code*
- CSA Z32: *Electrical Safety and Essential Electrical Systems in Health Care Facilities*
- CSA Z318.0: *Commissioning of Health Care Facilities*

Radiated and Conducted Emissions (EMC): The P0052B3 Medical Headboard with LED lighting (see Figure-8) is powered by a factory installed 12 V DC, 500 ma fuse limited, WittRock Healthcare 149425 Power Supply Unit (Rated Input: 120/240 V AC, 2 A, 50/60 Hz). This 15 Watt ITE power supply may also be used as a remote DC power source in WittRock Healthcare speci-fied applications. When connected and used in accordance with WittRock Healthcare instructions, the WittRock Healthcare®<sup>3</sup> P0052B Bed Locator with 149425 Power Supply Unit is compliant to the Class-A requirements of Part-15 in Title-47 of the US Code of Federal Regulations (47CFR-15) and, when installed as a stand-alone unit, the Industry Canada ICES/NMB-003 standard.

This equipment has been tested and found to comply with the limits for a Class A digital device, pursuant to part 15 of the Federal Communications Commission (FCC) rules. These limits are designed to provide reasonable protection against harmful interference when the

1. National Fire Protection Association®, National Electrical Code®, and NEC® are registered trademarks of National Fire Protection Association, Inc.
2. CSA® is a registered trademark of Canadian Standards Association, Inc.
3. WittRock Healthcare® is a registered trademark of WittRock Healthcare Services, Inc.

equipment is operated in a commercial environment. This equipment generates, uses and can radiate radio frequency energy and, if not installed and used in accordance with the instruction manual, may cause harmful interference to radio communications. Operation of this equipment in a residential area is likely to cause harmful interference, in which case the user will be required to correct the interference at his own expense.

This Class-A digital apparatus complies with Canadian ICES-003. Cet appareil numérique de la classe A est conforme à la norme NMB-003 du Canada.

**NOTE:**

Changes or modifications to equipment not expressly approved in writing by WittRock Healthcare could void the user's authority to operate the equipment.

## Setup

1. Before you start the installation, refer to the as-built drawings to determine the correct location for the bed locator.
2. Make sure the facility's power has been run to the installation site and the wall boxes, where applicable, have been installed in the wall or center cabinet of the ImageBuilders® Cabinet Headwall Collection.
3. Unpack the contents of the shipping container.
4. Read all of these installation instructions, and make sure the instructions match your hardware and as-built drawings.



**SHOCK HAZARD:**

Turn off all power to the installation site. Failure to do so could cause injury or equipment damage.

5. Turn off all power to the installation site.

**NOTE:**

The installation site is likely to have more than one grounded power source: normal power and emergency power.

## Determine the Wall and Construction Type



**WARNING:**

The installation method differs for each wall and construction type. Failure to install the bed locator according to the applicable wall and construction type could cause the bed locator to collapse. Injury or equipment damage could occur.

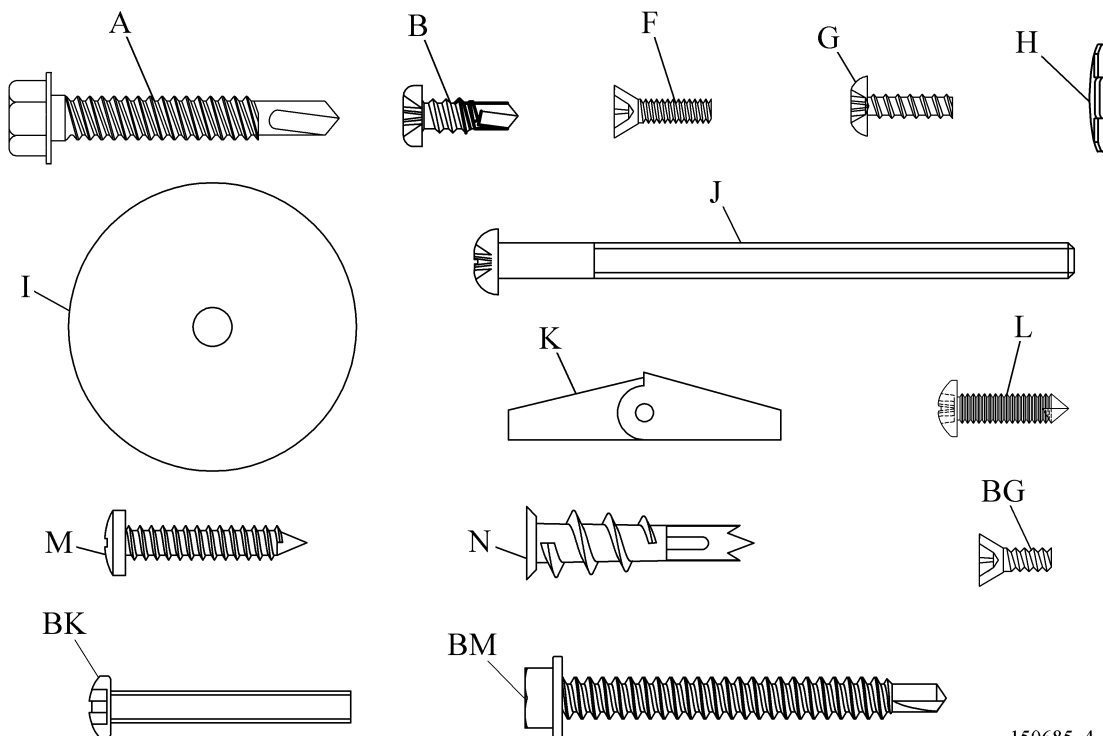
1. Refer to the local or state building codes, and determine the wall type and construction type:

- **Seismic** walls are constructed to prevent damage from an earthquake.
  - **Fire-rated** walls are constructed to prevent the spread of fire.
2. Do **one** of these:
- For **seismic** walls, install wall backing plates according to the Office of Statewide Health, Planning, and Development (OSHPD)-approved drawings and the as-built drawings, and then go to “Hardware Requirements” on page 5.
  - For **fire-rated, non-seismic** walls, make sure the walls are constructed with at least 20-gauge steel studs on 16" (41 cm) centers and covered with a minimum of 5/8" (16 mm) dry wall, and then go to “Hardware Requirements” on page 5.

## Hardware Requirements

1. Remove the necessary hardware from the bag assembly (see figure 1 on page 5):
  - For **seismic-rated** or **fire-rated** dry wall hardware, refer to table 1 on page 6.
  - For the **ImageBuilders® Cabinet Headwall Collection** hardware, refer to table 2 on page 6.
  - For the **Wall Panel System** hardware, refer to table 3 on page 6.

**Figure 1. Hardware**



150685\_4\_001

**Table 1. Seismic-Rated and Fire-Rated Dry Wall Hardware**

<b>Item</b>	<b>Part Number</b>	<b>Description</b>
A	5314301	Screw, #12-14 x 1 ½", self-drilling, hex head
B	29591	Screw, #8-18 x ½", self-drilling
F	16114	Screw, #6-32 x ½", phillips, flat head, zinc-plated
G	5294502	Screw, #6 x 3/8", type B, truss head
H	12483	Lockwasher, #8 dish-type
I	15359	Washer, 16 gauge, unplated
J	50167	Screw, #10-24 x 3", round/cross head
K	15384	Toggle snap, 3/16", zinc-plated
L	5085403	Screw, #8-15 x 5/8", pan head
M	55138	Screw, #8-18 x 5/8", pan head
N	57185	Anchor, screw
BG	16115	Screw, #6-20 x 3/8", type B, flat head

**Table 2. ImageBuilders® Cabinet Headwall Collection**

<b>Item</b>	<b>Part Number</b>	<b>Description</b>
A	5314301	Screw, #12-14 x 1 ½", self-drilling, hex head
B	29591	Screw, #8-18 x ½", self-drilling
F	16114	Screw, #6-32 x ½", phillips, flat head, zinc-plated
L	5085403	Screw, #8-15 x 5/8", pan head

**Table 3. Wall Panel System Hardware**

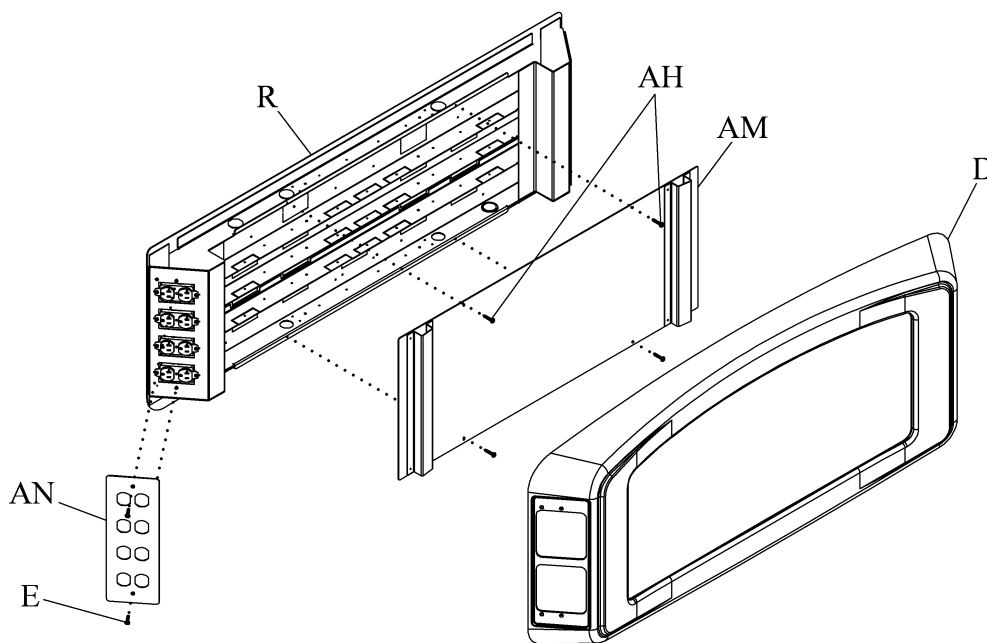
<b>Item</b>	<b>Part Number</b>	<b>Description</b>
B	29591	Screw, #8-18 x ½", self-drilling
BG	16115	Screw, #6-20 x 3/8", type B, flat head
BK	134037	Screw, #8-32 x 1 1/4", type F, phillips pan head
BM	58551	Screw, 1/4", self-drilling, hex head

2. If you install the bed locator with a **Flatwall Headwall System** or **Basis® Headwall System**, get the hardware from the interconnect module.

### Removal of the Plastic Cover from the Backplate Assembly

1. Remove the two screws (E) that attach the face plates (AN) through the plastic cover (D) to the backplate assembly (R). (see figure 2 on page 7)
2. Remove the face plates (AN) from the backplate assembly (R).
3. Remove the plastic cover (D) from the backplate assembly (R).
4. Remove the four screws (AH) that attach the front panel (AM) to the backplate assembly (R).
5. Remove the front panel (AM) from the backplate assembly (R).

**Figure 2. Removal of the Plastic Cover from the Backplate Assembly**



150685\_2\_010

### Which Instructions to Use

1. Do **one** of these:
  - If you install the bed locator on a wall as a **stand-alone unit**, go to “Install the Bed Locator as a Stand-Alone Unit” on page 9.

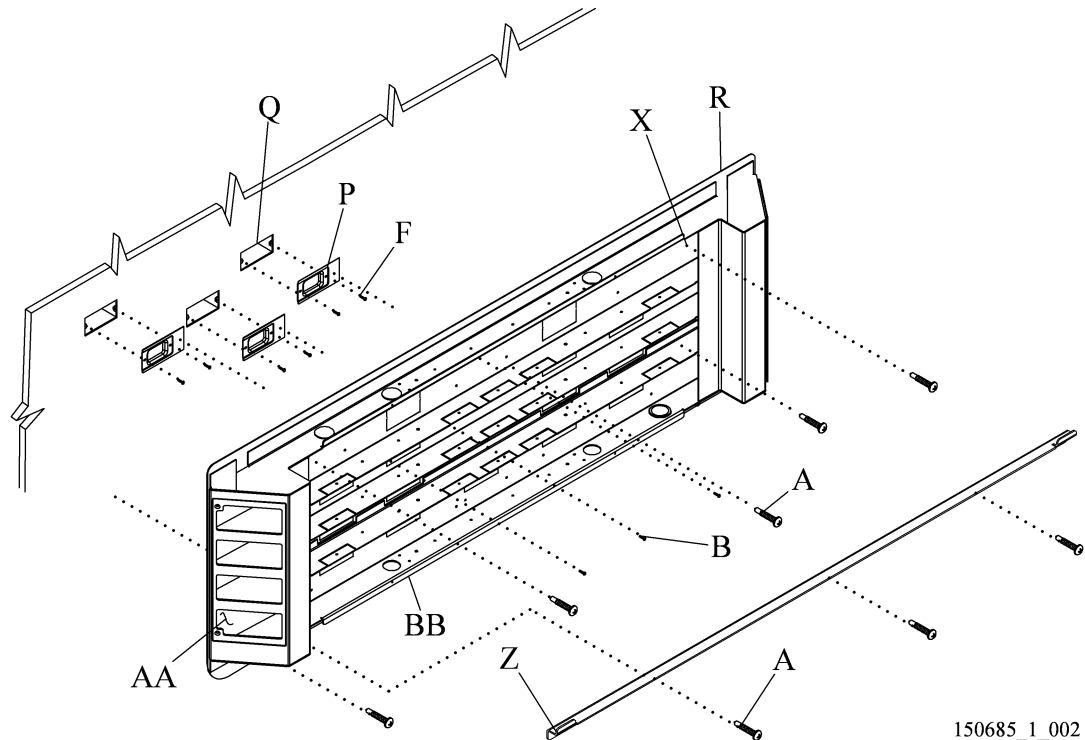
- If you install the bed locator **with** the **Flatwall Headwall System**, go to “Install the Bed Locator with the Flatwall Headwall System” on page 13.
- If you install the bed locator on the **ImageBuilders® Cabinet Headwall Collection**, go to “Install the Bed Locator on the ImageBuilders® Cabinet Headwall Collection” on page 17.
- If you install the **Medical Headboard** as a stand alone unit, go to “Install the Medical Headboard as a Stand-Alone Unit” on page 20.
- If you install the bed locator **with** the **Basis® Headwall System**, go to “Install the Bed Locator with the Basis® Headwall System” on page 23.
- If you install the bed locator on the **Wall Panel System**, go to “Install the Bed Locator as a Stand Alone Unit on the Wall Panel System” on page 28.



## Install the Bed Locator as a Stand-Alone Unit

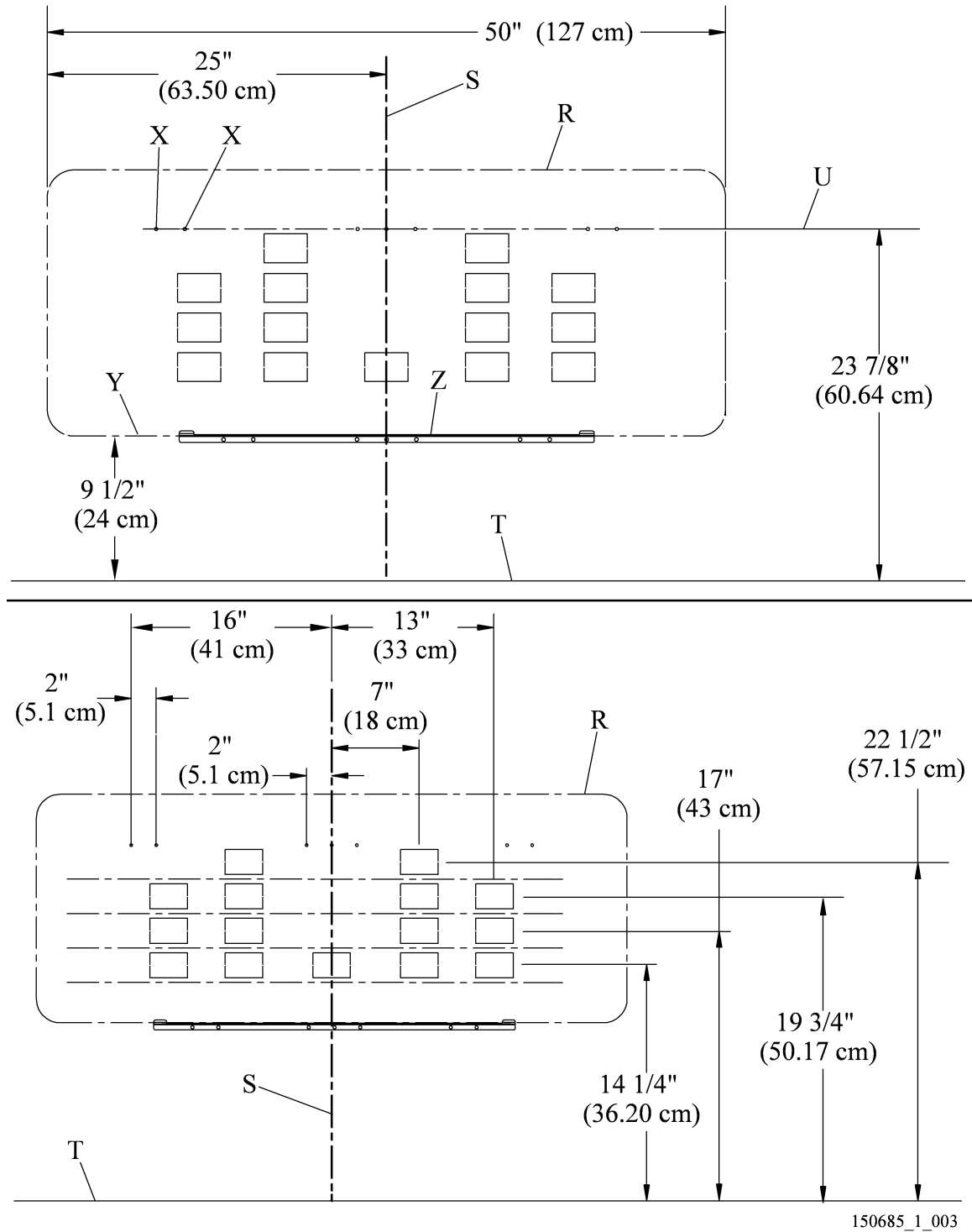
1. Install the flat head screws (F) to attach the face rings (P) on the line voltage and low voltage wall boxes (Q) (see figure 3 on page 9).

**Figure 3. Backplate Assembly and Installation Guide Bracket**



2. Remove the knockouts from the backplate assembly (R) that align with the wall boxes (Q).
3. Install the grommet edging around each removed knockout.
4. Make a mark to show the bed centerline (S) (see figure 4 on page 10):
  - a. Refer to the as-built drawings, and determine the bed centerline (S) as it relates to the backplate assembly (R).
  - b. If a finished floor has **not** been installed, make a mark to show the location of the intended finished floor line (T).
  - c. Make a plumb vertical bed centerline (S) on the wall 25" (64 cm) up from the floor line (T).
  - d. The bottom edge of the locator will be 9 1/2" (24.13 cm) from the floor line.

**Figure 4. Bed Locator—Typical Installation Dimensions**



5. Measure 23 7/8" (60.64 cm) from the floor line (T) up the wall, and make a mark to show the location on the bed centerline (S).
6. Make a plumb line at least 20" (51 cm) on both sides of the mark to show the horizontal centerline (U) of the mounting holes.
7. Measure 9 1/2" (24.13 cm) from the floor line (T) up the wall, and make a mark to show its location on the bed centerline (S).
8. Make a plumb line at least 20" (51 cm) on both sides of the mark to show the top horizontal centerline (Y) of the installation guide bracket (Z).
9. Align the installation guide bracket (Z) with the centerlines (S) and (Y).



**WARNING:**

Wear eye protection. Failure to do so could cause eye injury.

10. Put on safety glasses.
11. Install three #12 self-drilling screws (A) at a location free from obstruction to attach the installation guide bracket (Z) to the wall (see figure 3 on page 9).



**WARNING:**

The installation method differs for each wall and construction type. Failure to install the bed locator according to the applicable wall and construction type could cause the bed locator to collapse. Injury or equipment damage could occur.

12. Go to “Fire-Rated Dry Wall Installation” on page 11.

### **Fire-Rated Dry Wall Installation**



**WARNING:**

Do not leave the backplate assembly unattended in the installation guide bracket and not attached to the wall. The backplate assembly could fall and cause injury or equipment damage.

1. If it has not been previously done, remove the face plates (AN), plastic cover (D), front panel (AM), and backplate assembly (R) from the bed locator (refer to “Removal of the Plastic Cover from the Backplate Assembly” on page 7).
2. Put the backplate assembly (R) in the installation guide bracket (Z) (see figure 3 on page 9).
3. Align the backplate assembly (R) with the centerlines (S) and (U) (see figure 4 on page 10) and wall boxes (Q) (see figure 3 on page 9).



**WARNING:**

Wear eye protection. Failure to do so could cause eye injury.

4. Put on safety glasses.
5. Do one of these:
  - If the wall has a metal backplate, choose three knockouts to create holes near the left edge, center, and right edge of the backplate assembly.
  - If the wall has studs, choose three knockouts or create holes that align with studs near the left edge, center, and right edge of the backplate assembly.



**WARNING:**

Make sure the self-drilling screws go through the wall stud or backing plate. Failure to do so could cause injury or equipment damage.

6. At the mounting holes (X), install three #12 self-drilling screws (A) at a location free from obstruction (except for 20-gauge minimum thick steel studs) to attach the backplate assembly (R) to the wall studs or backing plate.
7. Find the wall studs that are furthest from the sides of the bed centerline (S) and still within the area of the backplate assembly (R) (see figure 4 on page 10).
8. At the wall studs, drill two 1/4" (6.35 mm) diameter holes in the lower flange (BB) of the backplate, below the lowest raceway of the backplate assembly (R) (see figure 3 on page 9).



**WARNING:**

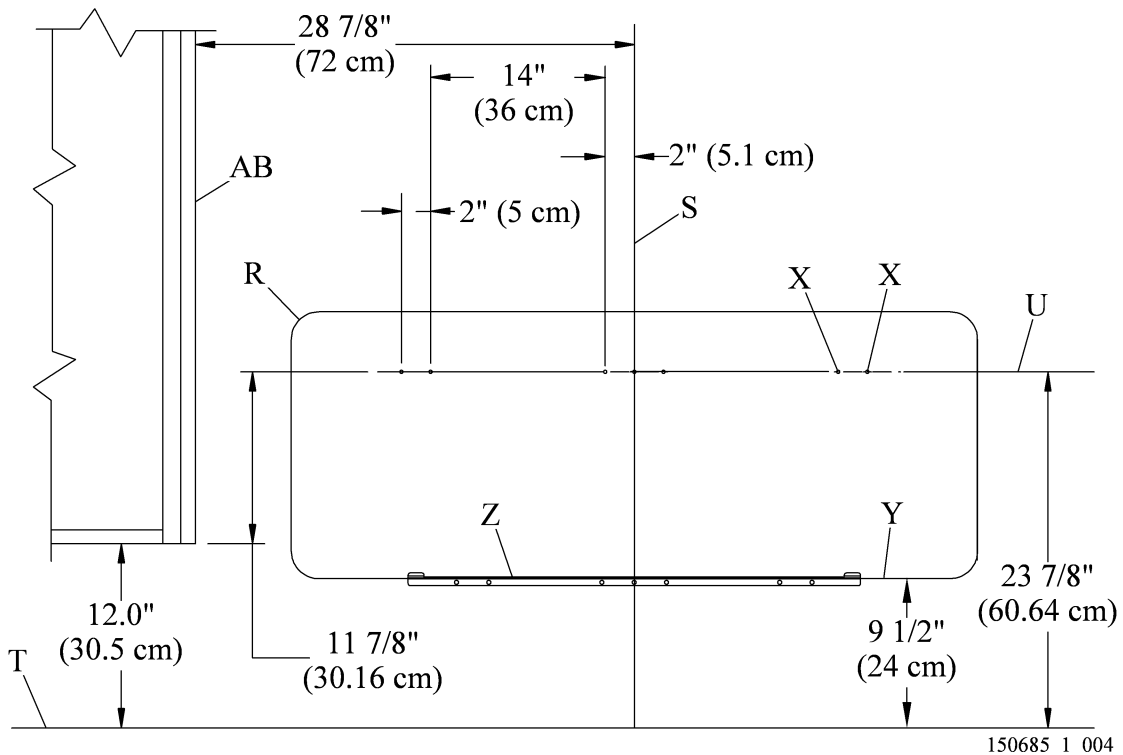
Make sure the self-drilling screws go through the wall stud or backing plate. Failure to do so could cause injury or equipment damage.

9. Install two #12 self-drilling screws (A) at a location free from obstruction (except for 20-gauge minimum thick steel studs) to attach the lower flange (BB) to the wall studs or backing plate.
10. Install the #8 self-drilling screws (B) to attach the backplate assembly (R) to the face rings (P).
11. Go to “Final Steps” on page 33.

## Install the Bed Locator with the Flatwall Headwall System

1. Mark the bed centerline (S) (see figure 5 on page 13):
  - a. If a finished floor has **not** been installed, make a mark to show the location of the intended finished floor line (T).
  - b. Make a plumb vertical bed centerline (S) on the wall 25" (64 cm) up from the floor line (T).

**Figure 5. Typical Installation Dimensions**



2. Measure 23 7/8" (60.64 cm) from the floor line (T) up the wall, and make a mark to show its location on the bed centerline (S).
3. At the mark on the bed centerline (S), make a plumb line from the side of the headwall system (AB) at least 47" (119 cm) across the wall to show the horizontal centerline (U) of the mounting holes (X).
4. Measure 9 1/2" (24.13 cm) from the floor line (T) up the wall, and make a mark to show the location on the bed centerline (S).
5. Make a plumb line at least 20" (51 cm) on both sides of the mark to show the top horizontal centerline (Y) of the installation guide bracket (Z).

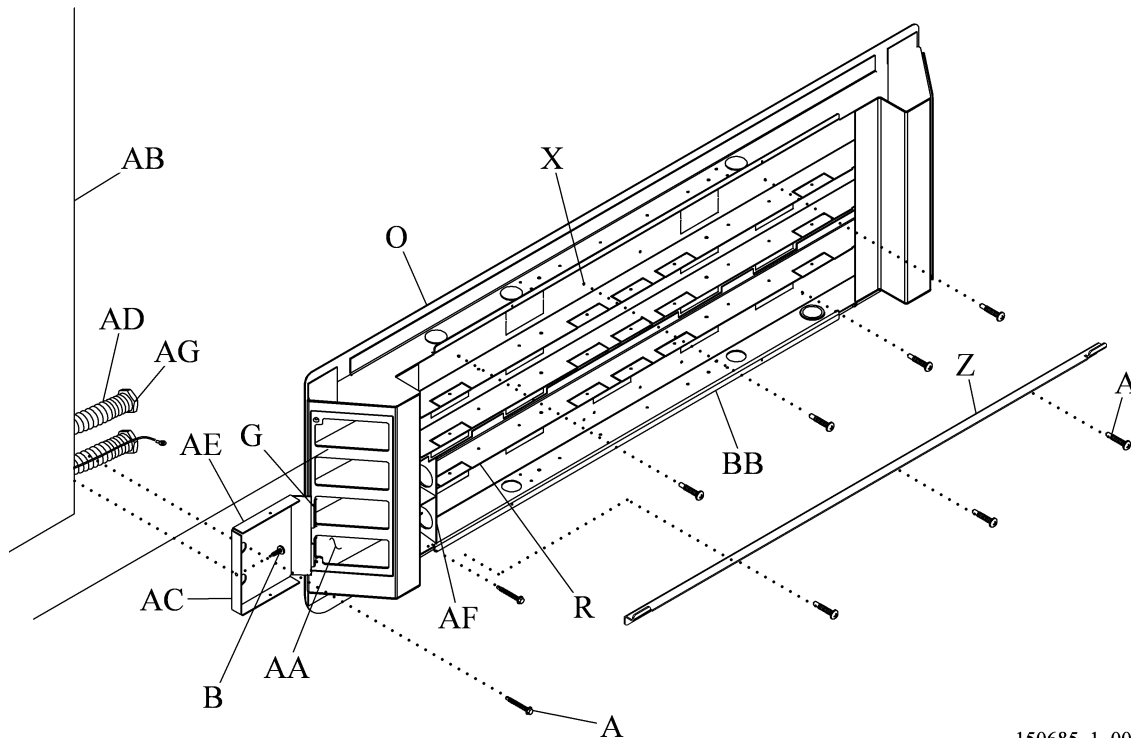


**WARNING:**

Failure to wear eye protection could cause eye injury.

6. Put on safety glasses.
7. Align the installation guide bracket (Z) with the lines (S) and (Y).
8. Install three #12 self-drilling screws (A) at a location free from obstruction to attach the installation guide bracket (Z) to the wall (see figure 6 on page 14).

**Figure 6. Headwall System Interconnect**



150685\_1\_005

9. Remove the face plate (AN), plastic cover (D) and front panel (AM) from the backplate assembly (R) (refer to "Removal of the Plastic Cover from the Backplate Assembly" on page 7).
10. Use two #6 x 3/8" long truss head screws (G) to install the interconnect backplate (AC) into the applicable bed locator device opening.



**WARNING:**

The installation method differs for each wall and construction type. Failure to install the bed locator according to the applicable wall and construction type could cause the bed locator to collapse. Injury or equipment damage could occur.

11. To install on **seismic-rated** and **fire-rated** dry wall, go to step 12.



**WARNING:**

Do not leave the backplate assembly unattended in the installation guide bracket and not attached to the wall. The backplate assembly could fall and cause injury or equipment damage.

12. Put the backplate assembly (R) in the installation guide bracket (Z).
13. Slide the backplate assembly (R) flush with the headwall assembly (AB).
14. Make sure the raceway backplate (AC) is against the headwall system (AB).



**WARNING:**

In accordance with NFPA 70, do **not** mix different services, such as critical power, low voltage, or normal power, in the same raceway level of the backplate assembly. Injury or equipment damage could occur.

15. Pull the wiring and conduit (AD) from the headwall system (AB) through the side of the backplate assembly (O). Do **not** mix different services in the same raceway level of the backplate assembly (R).
16. Do one of these:
  - If the wall has a metal backplate, choose three knockouts to create holes near the left edge, center, and right edge of the backplate assembly.
  - If the wall has studs, choose three knockouts or create holes that align with studs near the left edge, center, and right edge of the backplate assembly.



**WARNING:**

Make sure the self-drilling screws go through the wall stud or backing plate. Failure to do so could cause injury or equipment damage.

17. At the mounting holes (X), install three #12 self-drilling screws (A) at a location free from obstruction (except for 20-gauge minimum thick steel studs) to attach the backplate assembly (R) to the wall studs or backing plate.
18. Find the wall studs that are furthest from the bed centerline (S) and within the area of the backplate assembly (R) (see figure 5 on page 13).
19. At the wall studs, drill two 1/4" (6.35 mm) diameter holes in the lower flange (BB) of the backplate, below the lowest raceway of the backplate assembly (R) at a location free from obstruction (except for 20-gauge minimum thick steel studs) (see figure 6 on page 14).



**WARNING:**

Make sure the self-drilling screws go through the wall stud or backing plate. Failure to do so could cause injury or equipment damage.

20. Install two #12 self-drilling screws (A) to attach the lower flange (BB) to the wall studs or backing plate at a location free from obstruction (except for 20-gauge minimum thick steel studs).



**WARNING:**

Make sure the self-drilling screws go through the wall stud or backing plate. Failure to do so could cause injury or equipment damage.

21. On **seismic-rated** or **fire-rated** dry wall, at a location free from obstruction (except for 20-gauge minimum thick steel studs), Install the two #12 self-drilling screws (A) to attach the backplate (AC) to the wall stud or backing plate.
22. Install one screw (B) to attach the backplate (AC) to the headwall system (AB).
23. Remove the conduit connector brackets (AF) from the backplate assembly (R).
24. Tighten the locknuts (AG) on the ends of headwall system conduit (AD) to attach them to the conduit connector brackets (AF).
25. Install the conduit connector brackets (AF) on the backplate assembly (R).
26. Go to “Final Steps” on page 33.



## **Install the Bed Locator on the ImageBuilders® Cabinet Headwall Collection**

1. Find the openings in the front of the center cabinet (AK) (see figure 7 on page 19).
2. Halfway between the two rows of openings, make a vertical plumb line to show the bed centerline (S).
3. Remove the knockouts from the backplate assembly (R) that align with the junction boxes (AL) in the center cabinet (AK).



### **SHOCK HAZARD:**

Make sure electrical power is turned OFF to the installation site. Failure to do so could cause injury or equipment damage.

4. Make sure electrical power is turned OFF to the installation wiring. If necessary, tag out and lock out the power to the circuits in the center cabinet (AK).
5. Make a plumb line at least 20" (51 cm) on both sides of the mark to show the horizontal centerline (Y) of the installation guide bracket (Z).
6. Align the installation guide bracket (Z) with the centerlines (S) and (Y).
7. Install three #12 self-drilling screws (A) at a location free from obstruction to attach the installation guide bracket (Z) to the center cabinet (AK).
8. Remove the face plate (AN), plastic cover (D) and front panel (AM) from the backplate assembly (R) (refer to "Removal of the Plastic Cover from the Backplate Assembly" on page 7).



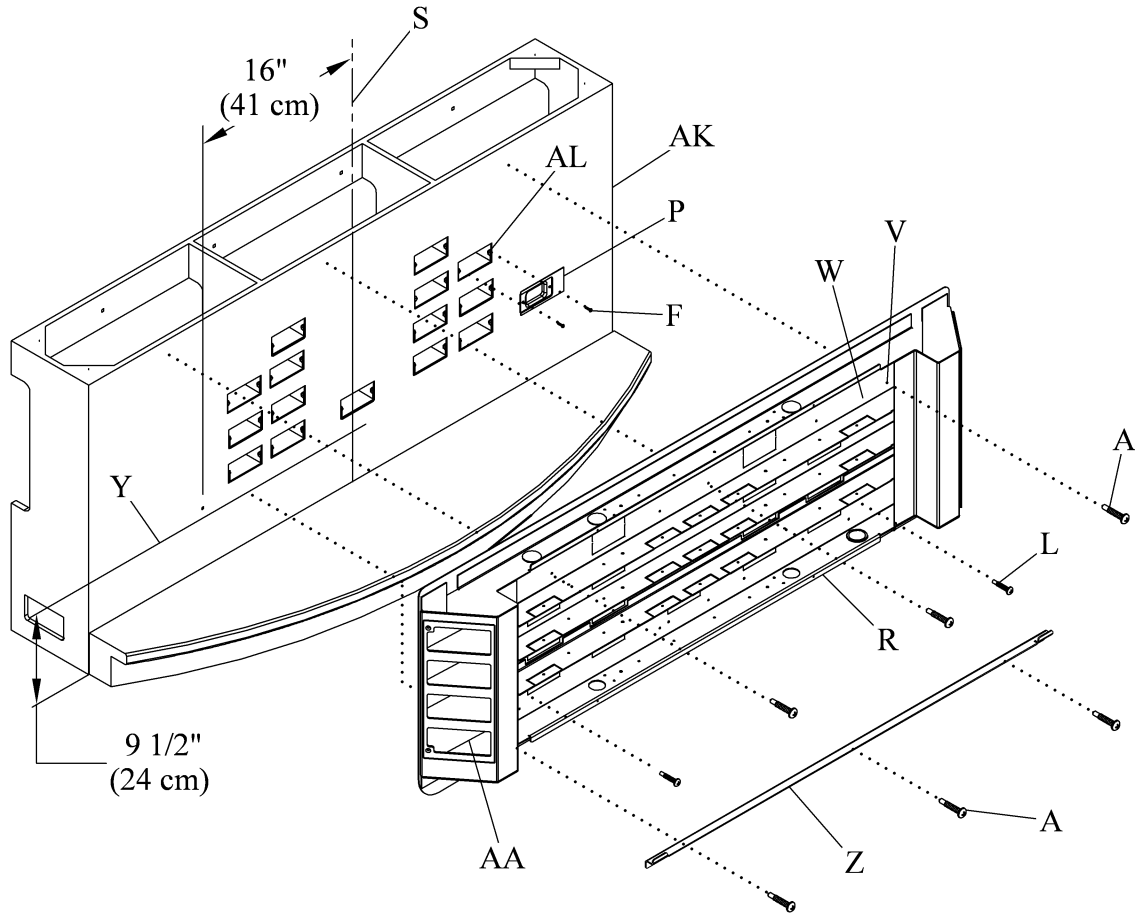
### **WARNING:**

Do not leave the backplate assembly unattended in the installation guide bracket and not attached to the center cabinet. The backplate assembly could fall and cause injury or equipment damage.

9. Install the flat head screws (F) to attach the necessary face rings (P) to the junction boxes (AL).
10. Install the grommet edging around each removed knockout.
11. At the mounting holes (V) and/or (W), remove the knockout.
12. Put the backplate assembly (R) in the installation guide bracket (Z).
13. Align the backplate assembly (R) with the centerline (S).
14. Install three #12 self-drill screws (A) through knockouts (W) or (V) to attach bed locator to center cabinet.

15. Measure 16" (41 cm) from the bed centerline (S) on each side of the center cabinet (AK), and make marks to show the location of the lowest raceway (AA) of the backplate assembly (R).
16. At the marks, drill a 3/16" (4.75 mm) hole through the back of the backplate assembly (R) at a location free from obstruction.
17. Install two #8 pan head screws (L) to attach the lowest raceway (AA) to the center cabinet (AK).
18. Go to "Final Steps" on page 33.

Figure 7. Center Cabinet

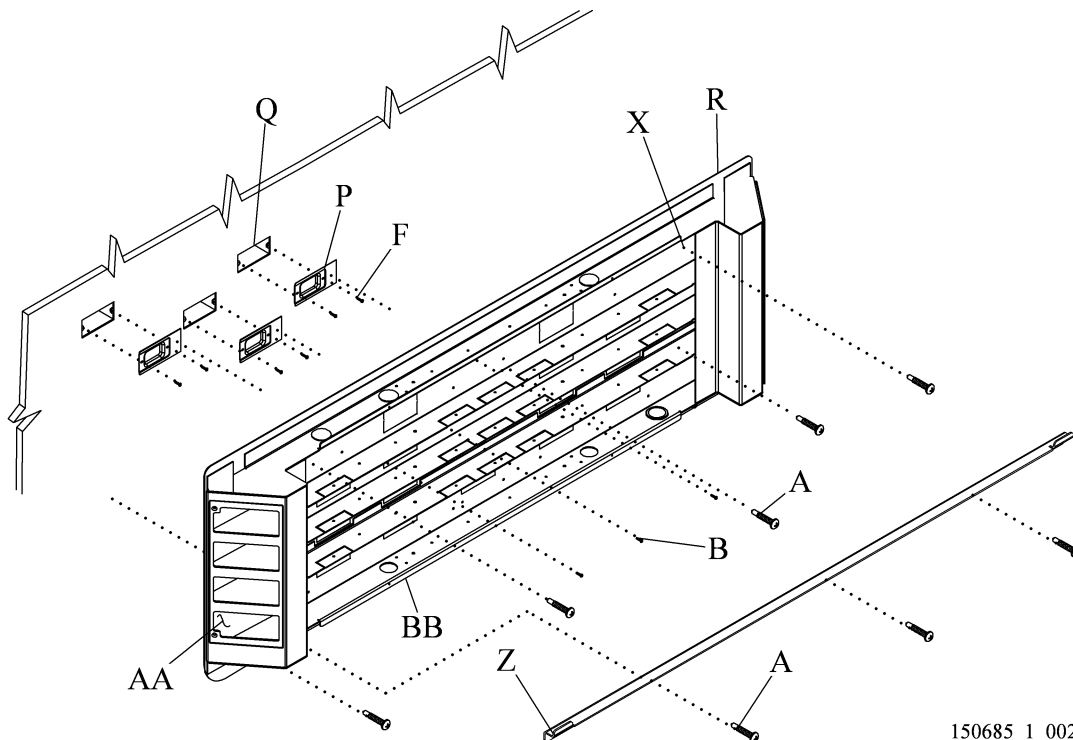


150685\_1\_007

## Install the Medical Headboard as a Stand-Alone Unit

1. Install the flat head screws (F) to attach the face rings (P) on the line voltage and low voltage wall boxes (Q) (see figure 8 on page 20).

**Figure 8. Backplate Assembly and Installation Guide Bracket**



2. Remove the knockouts from the backplate assembly (R) that align with the wall boxes (Q).
3. Install the grommet edging around each removed knockout.
4. Make a mark to show the bed centerline (S) (see figure 9 on page 22):
  - a. Refer to the as-built drawings, and determine the bed centerline (S) as it relates to the backplate assembly (R).
  - b. If a finished floor has **not** been installed, make a mark to show the location of the intended finished floor line (T).
  - c. Make a plumb vertical bed centerline (S) on the wall 25" (64 cm) up from the floor line (T).
  - d. The bottom edge of the locator will be 23" (58.42 cm) from the floor line.
5. Measure 37 3/8" (94.93 cm) from the floor line (T) up the wall, and make a mark to show the location on the bed centerline (S).

6. Make a plumb line at least 20" (51 cm) on both sides of the mark to show the horizontal centerline (U) of the mounting holes.
7. Measure 23" (58 cm) for the Medical Headboard from the floor line (T) up the wall, and make a mark to show its location on the bed centerline (S).
8. Make a plumb line at least 20" (51 cm) on both sides of the mark to show the top horizontal centerline (Y) of the installation guide bracket (Z).
9. Align the installation guide bracket (Z) with the centerlines (S) and (Y).



**WARNING:**

Failure to wear eye protection could cause eye injury.

10. Put on safety glasses.
11. Install three #12 self-drilling screws (A) at a location free from obstruction (except for 20-gauge minimum thick steel studs) to attach the installation guide bracket (Z) to the wall (see figure 3 on page 9).



**WARNING:**

The installation method differs for each wall and construction type. Failure to install the bed locator according to the applicable wall and construction type could cause the bed locator to collapse. Injury or equipment damage could occur.

12. Go to “Fire-Rated Dry Wall Installation” on page 11.



## Install the Bed Locator with the Basis® Headwall System

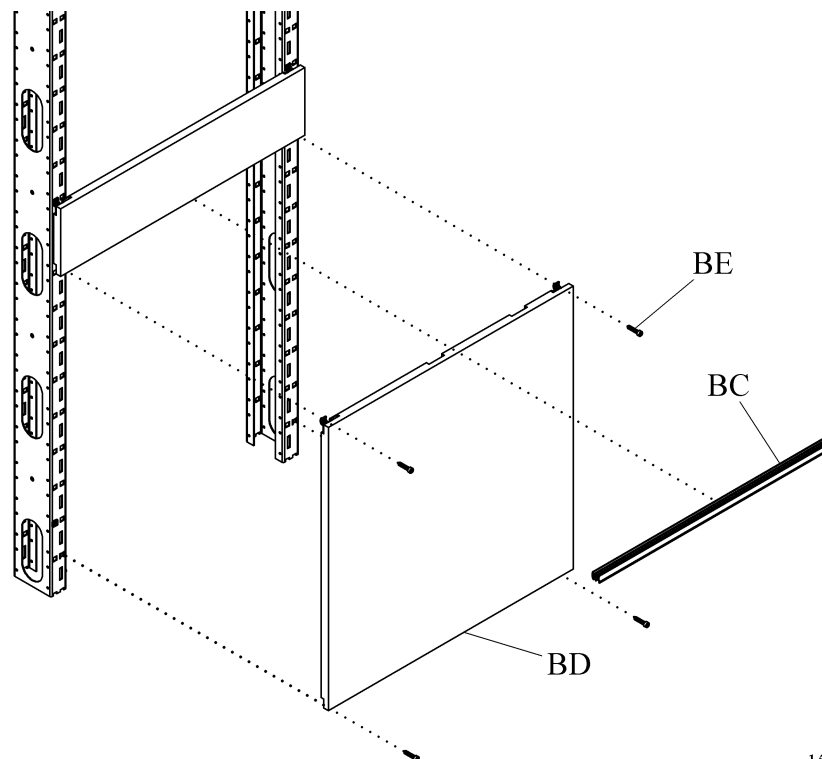
### Prepare the Basis® Headwall System for the Bed Locator Connection

1. Remove the filler strip (BC) from the bottom access panel (BD) of the headwall (see figure 10 on page 23).
2. Remove the four screws (BE) that attach the access panel (BD) to the headwall frame.

**NOTE:**

On a headwall with devices, it may be necessary to remove the backbox and backplate so that you can put the wiring and conduit through to the bed locator.

**Figure 10. Access Panel Removal (the frame extrusion is removed for clarity)**



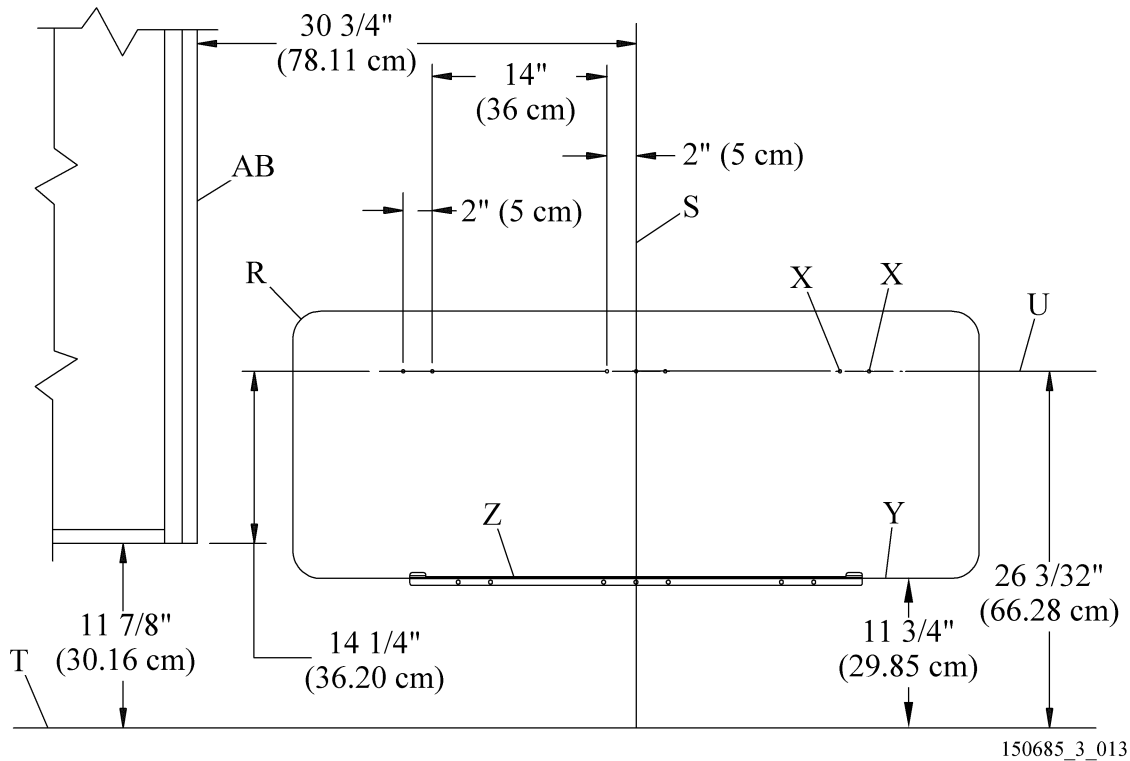
150685\_3\_014

### Install the Bed Locator

1. Mark the bed centerline (S) (see figure 11 on page 24):
  - a. If a finished floor has **not** been installed, make a mark to show the location of the intended finished floor line (T).
  - b. Make a plumb vertical bed centerline (S) on the wall 30 3/4" (78.11 cm) from the headwall extrusion and up from the floor line (T).

2. Measure  $26 \frac{3}{32}$ " (66.28 cm) from the floor line (T) up the wall, and make a mark to show its location on the bed centerline (S).

**Figure 11. Typical Installation Dimensions**



3. At the mark on the bed centerline (S), make a plumb line from the side of the headwall (AB) at least 47" (119 cm) across the wall to show the horizontal centerline (U) of the mounting holes (X).
4. Measure 11  $\frac{3}{4}$ " (29.85 cm) from the floor line (T) up the wall, and make a mark to show the location on the bed centerline (S).
5. Make a plumb line at least 20" (51 cm) on both sides of the mark to show the top horizontal centerline (Y) of the installation guide bracket (Z).



**WARNING:**

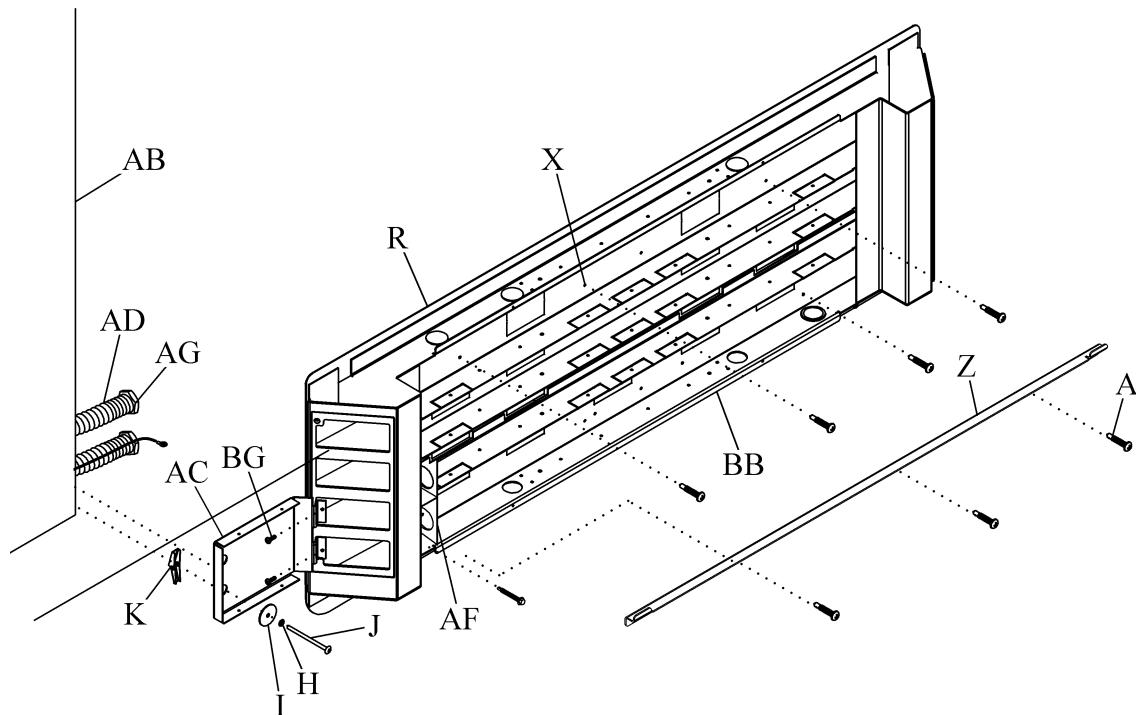
Failure to wear eye protection could cause eye injury.

6. Put on safety glasses.
7. Align the installation guide bracket (Z) with the lines (S) and (Y).



8. Install three #12 self-drilling hex head screws (A) at a location free from obstruction (except for 20-gauge minimum thick steel studs) to attach the installation guide bracket (Z) to the wall (see figure 12 on page 25).

**Figure 12. Headwall Interconnect**



150685\_3\_011

9. Remove the face plate (AN), plastic cover (D) and front panel (AM) from the backplate assembly (R) (refer to “Removal of the Plastic Cover from the Backplate Assembly” on page 7).
10. Install two #6 x 3/8" flat head screws (BG) to attach the interconnect backplate (AC) to the bed locator device opening (see figure 12 on page 25).



**WARNING:**

Do not leave the backplate assembly unattended in the installation guide bracket and not attached to the wall. The backplate assembly could fall and cause injury or equipment damage.

11. Put the backplate assembly (R) in the installation guide bracket (Z).
12. Make sure the interconnect backplate (AC) is against the headwall (AB).
13. Do one of these:
  - If the wall has a metal backplate, choose three knockouts to create holes near the left edge, center, and right edge of the backplate assembly (R).

- If the wall has studs, choose three knockouts or create holes that align with studs near the left edge, center, and right edge of the backplate assembly (R).



**WARNING:**

Make sure the self-drilling screws go through the wall stud or backing plate. Failure to do so could cause injury or equipment damage.

14. At the mounting holes (X), install three #12 self-drilling hex head screws (A) at a location free from obstruction (except for 20-gauge minimum thick steel studs) to attach the backplate assembly (R) to the wall studs or backing plate.
15. Find the wall studs that are furthest from the bed centerline (S) and within the area of the backplate assembly (R) (see figure 11 on page 24).
16. At the wall studs, drill two 1/4" (6.35 mm) diameter holes in the lower flange (BB) of the backplate, below the lowest raceway of the backplate assembly (R) at a location free from obstruction (except for 20-gauge minimum thick steel studs) (see figure 12 on page 25).



**WARNING:**

Make sure the self-drilling screws go through the wall stud or backing plate. Failure to do so could cause injury or equipment damage.

17. Install two #12 self-drilling hex head screws (A) to attach the lower flange (BB) to the wall studs or backing plate at a location free from obstruction (except for 20-gauge minimum thick steel studs).



**WARNING:**

Failure to wear eye protection could cause injury.

18. Put on the safety glasses.
19. At one of the two openings in the interconnect backplate (AC), drill a 5/8" hole in the wall.

**NOTE:**

If a wall stud or interference is found or anticipated at one location, drill at the second opening.

20. Clean up any debris from drilling.
21. Assemble the #10-24 screw (J), lockwasher (H), washer (I), and toggle snap (K).
22. Install the #10-24 screw (J), lockwasher (H), washer (I), and toggle snap (K) in the hole drilled in step 19. Make sure the toggle snap (K) fully opens inside the wall.



**WARNING:**

Completely tighten the #10-24 screw assembly in the wall. Failure to do so could cause injury or equipment damage.

23. **Completely** tighten the #10-24 screw (J).



**WARNING:**

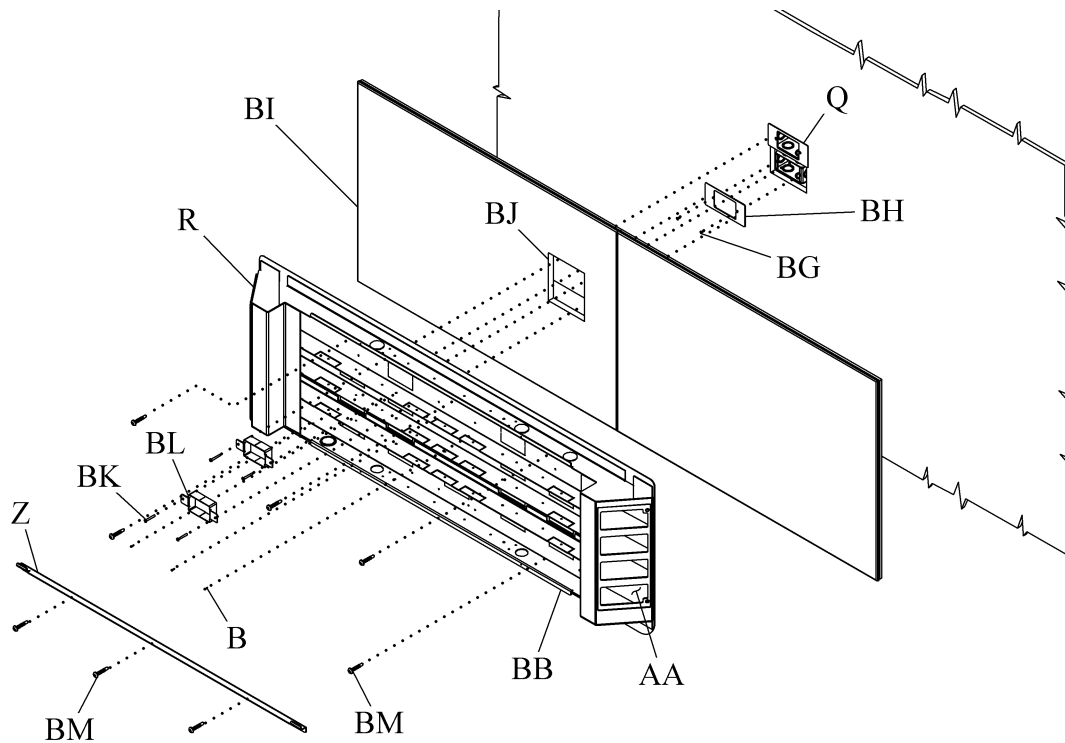
In accordance with NFPA 70, do **not** mix different services, such as critical power, low voltage, or normal power, in the same raceway level of the backplate assembly. Injury or equipment damage could occur.

24. Pull the wiring and conduit (AD) from the headwall (AB) through to backplate assembly (R). Do **not** mix different services in the same raceway level of the backplate assembly (R).
25. Tighten the locknuts (AG) on the ends of headwall conduit (AD) to attach them to the conduit connector brackets (AF).
26. Go to “Final Steps” on page 33.

## Install the Bed Locator as a Stand Alone Unit on the Wall Panel System

1. Install the flat head screws (BG) to attach the face ring (BH) on the line voltage and low voltage wall box (Q) (see figure 13 on page 28).

**Figure 13. Backplate Assembly and Installation Guide Bracket**

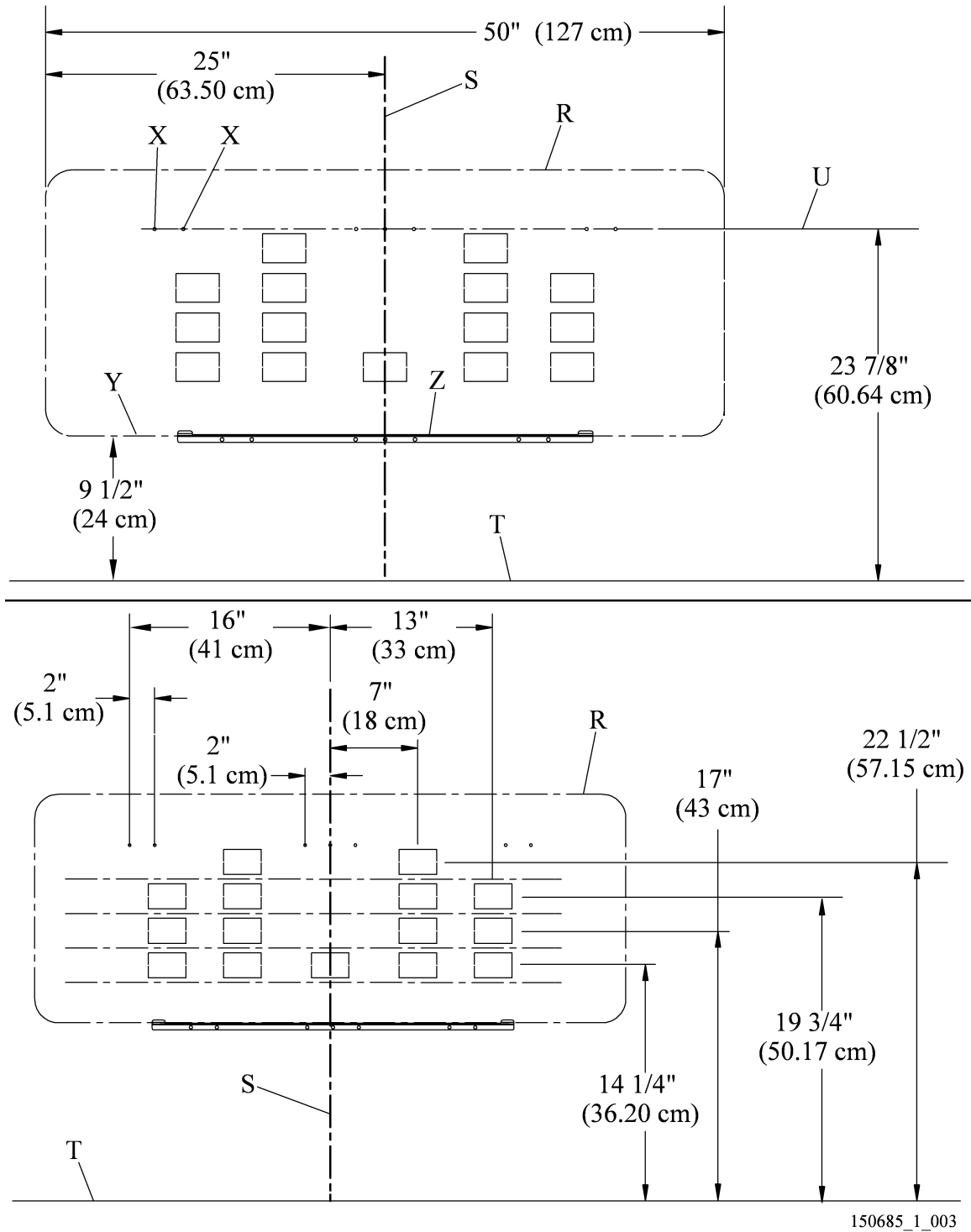


150685\_4\_015

2. Do as follows:
  - a. Install the Wall Panel System up to the wall box location for the bed locator. Refer to the applicable instructions:
    - *Basis® Wall Panel System Installation* (180768)
    - *Basis® Wall Panel System—Installation with the Basis® Headwall System* (181298)
  - b. Measure the distance from the edge of the Wall Panel System to the wall box (Q) in the dry wall (see figure 13 on page 28).
  - c. Mark the location for the wall box (Q) on the wall panel (BI) that is to be installed over the wall box.
  - d. Remove that panel (BI) from the wall.
  - e. Cut a 2.5 x 4" (6.35 x 10.16 cm) cutout (BJ) in the wall panel (BI) for access to the wall box (Q).

- f. Put the wall panel (BJ) into position on the Wall Panel System.
3. Remove the knockouts from the locator's backplate assembly (R) that align with the wall panel cutout (BJ).
4. Install the grommet edging around the removed knockout.
5. Make a mark to show the bed centerline (S) (see figure 14 on page 30):
  - a. Refer to the as-built drawings, and determine the bed centerline (S) as it relates to the backplate assembly (R).
  - b. If a finished floor has **not** been installed, make a mark to show the location of the intended finished floor line (T).
  - c. Make a plumb vertical bed centerline (S) on the wall panel 25" (64 cm) up from the floor line (T).
  - d. The bottom edge of the locator will be 9 1/2" (24.13 cm) from the floor line.
6. Measure 23 7/8" (60.64 cm) from the floor line (T) up the wall panel, and make a mark to show the location on the bed centerline (S).
7. Make a plumb line at least 20" (51 cm) on both sides of the mark to show the horizontal centerline (U) of the mounting holes.
8. Measure 9 1/2" (24.13 cm) from the floor line (T) up the wall panel, and make a mark to show its location on the bed centerline (S).
9. Make a plumb line at least 20" (51 cm) on both sides of the mark to show the top horizontal centerline (Y) of the installation guide bracket (Z).
10. Align the installation guide bracket (Z) with the centerlines (S and Y).

**Figure 14. Bed Locator—Typical Installation Dimensions**





**WARNING:**

Wear eye protection. Failure to do so could cause eye injury.

11. Put on safety glasses.
12. Install three 1/4" self-drilling screws (BM) at a location free from obstruction (except for 20-gauge minimum thick steel studs) to attach the installation guide bracket (Z) to the wall panel (BI) and wall (see figure 13 on page 28).



**WARNING:**

Do not leave the backplate assembly unattended in the installation guide bracket and not attached to the wall. The backplate assembly could fall and cause injury or equipment damage.

13. Complete the installation of the Wall Panel System, refer to the applicable instructions:
  - *Basis® Wall Panel System Installation (180768)*
  - *Basis® Wall Panel System—Installation with the Basis® Headwall System (181298)*
14. If it has not been previously done, remove the face plates (AN), plastic cover (D), front panel (AM) from the backplate assembly (R) (refer to “Removal of the Plastic Cover from the Backplate Assembly” on page 7).
15. Put the backplate assembly (R) in the installation guide bracket (Z) (see figure 13 on page 28).
16. Align the backplate assembly (R) with the centerlines (S) and (U) (see figure 14 on page 30) and wall box (Q) (see figure 13 on page 28).



**WARNING:**

Wear eye protection. Failure to do so could cause eye injury.

17. Put on safety glasses.
18. Do one of these:
  - If the wall has a metal backplate, choose three knockouts to create holes near the left edge, center, and right edge of the backplate assembly (R).
  - If the wall has studs, choose three knockouts or create holes that align with the studs near the left edge, center, and right edge of the backplate assembly (R).



**WARNING:**

Make sure the self-drilling screws go through the wall stud or backing plate. Failure to do so could cause injury or equipment damage.

19. At the mounting holes (X) (see figure 14 on page 30), install three 1/4" self-drilling screws (BM) at a location free from obstruction (except for 20-gauge minimum thick steel studs) to attach the backplate assembly (R) to the wall studs or backing plate (see figure 13 on page 28).
20. Find the wall studs that are furthest from the sides of the bed centerline (S) and still within the area of the backplate assembly (R) (see figure 14 on page 30).
21. At the wall studs, drill two 1/4" (6.35 mm) diameter holes in the lower flange (BB) of the backplate, below the lowest raceway (AA) of the backplate assembly (R) (see figure 13 on page 28).



**WARNING:**

Make sure the self-drilling screws go through the wall stud or backing plate. Failure to do so could cause injury or equipment damage.

22. Install two 1/4" self-drilling screws (BM) at a location free from obstruction (except for 20-gauge minimum thick steel studs) to attach the lower flange (BB) to the wall studs or backing plate.
23. Install the #8 self-drilling screws (B) to attach the backplate assembly (R) to the face rings (BH).
24. Install the phillips head screws (BK) to attach the wall panel sleeves (BL) to the knockout locations in the backplate assembly and through to the face rings (BH).
25. Go to "Final Steps" on page 33.



## Final Steps

1. Refer to the as-built drawings, and determine the bed locator's internal wiring configuration and hook-up information.



### **WARNING:**

Failure to connect the electrical wiring correctly could cause injury or equipment damage.

2. Have the **electrical contractor** connect all the wiring from the wall boxes (Q) to the backplate assembly (R) according to the applicable national, state or provincial, and local codes, and these (see figure 3 on page 9):

For USA installations National Fire Protection® (NFPA):

- NFPA 70: *National Electrical Code*® (NEC®) and NFPA 99: Standard for Health Care Facilities

For Canadian installations Canadian Standards Association (CSA®) (applicable to a **stand-alone unit only**):

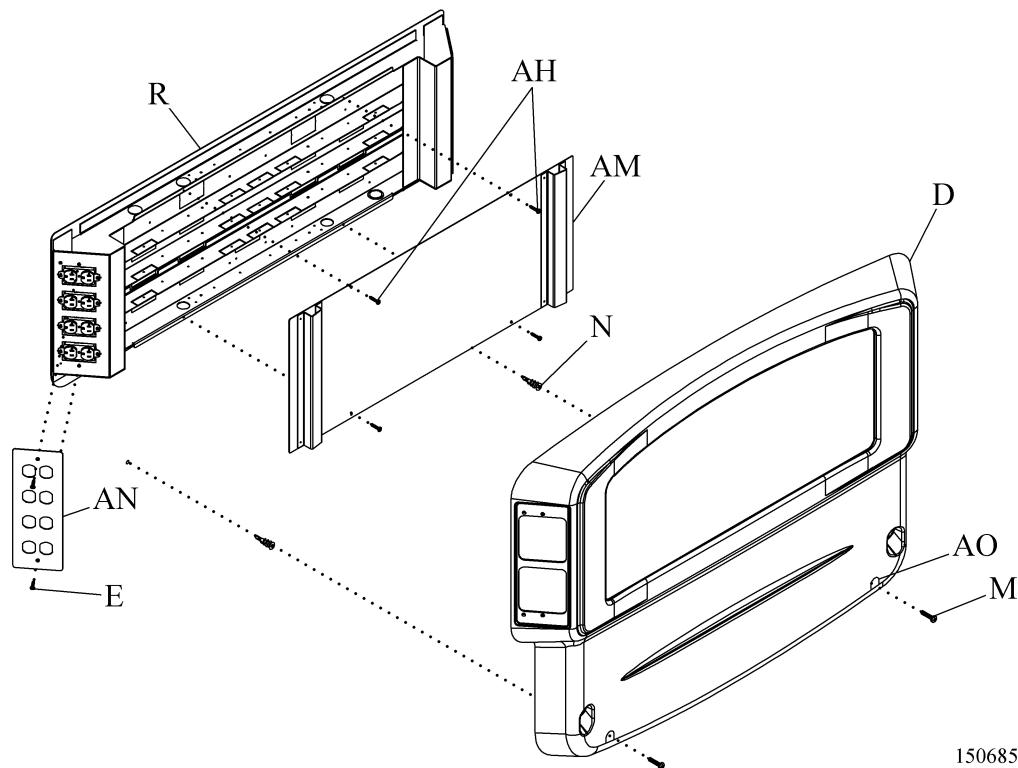
- CSA 22.1: *Canadian Electrical Code—Safety Standard for Electrical Installations*
- CSA Z318.0: *Commissioning of Health Care Facilities*

3. Do one of these:
  - For the **Medical Headboard** cover, go to “Medical Headboard Cover” on page 34.
  - For the **Bed Locator** cover, go to “Bed Locator Cover” on page 35.

## Medical Headboard Cover

1. Install the four screws (AH) to attach the front panel (AM) on the backplate assembly (R) (see figure 15 on page 34).
2. Install the plastic cover (D).
3. Mark the locations on the wall for wall anchors (N) using the holes (AO) on the bottom edge of the plastic cover (D).
4. Remove the plastic cover (D).
5. Install the wall anchors (N) in the locations previously marked on the wall.
6. Install the plastic cover (D).
7. Install the screws (M) into the wall anchors (N) through the plastic cover (D).
8. Install the two screws (E) to attach the face plates (AN) through the plastic cover (D) to the backplate assembly (R).

**Figure 15. Medical Headboard Cover**

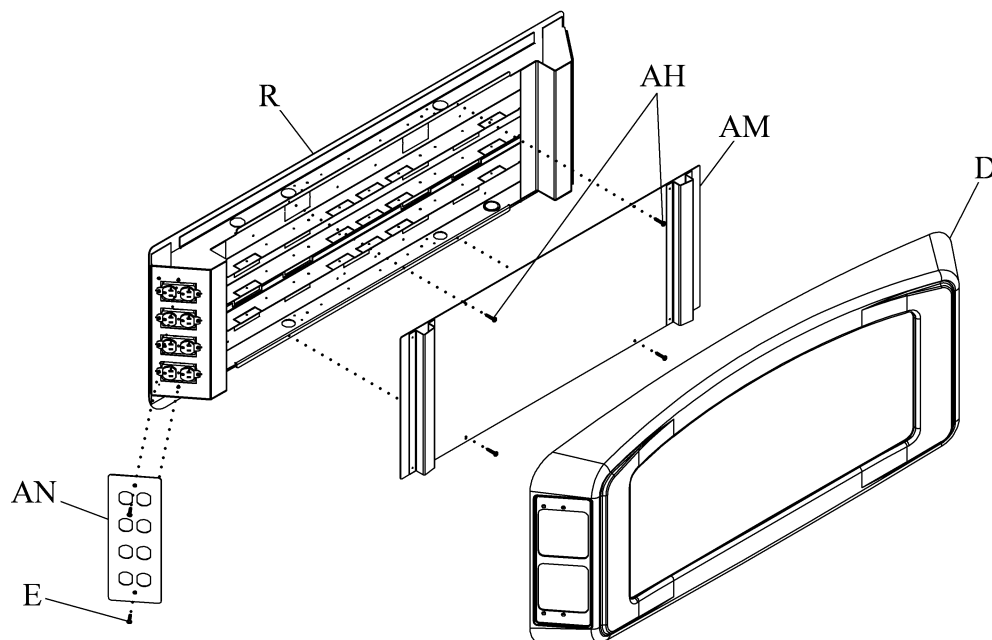


150685\_3\_008

## Bed Locator Cover

1. Install the four screws (AH) to attach the front panel (AM) on the backplate assembly (R) (see figure 16 on page 35).
2. Install the plastic cover (D).
3. Install the screws (E) to attach the face plates (AN) to the backplate assembly (R) through the plastic cover (D).
4. Install the top lip of the plastic cover (D) into the retaining bracket of the backplate assembly (R).

**Figure 16. Bed Locator Cover**



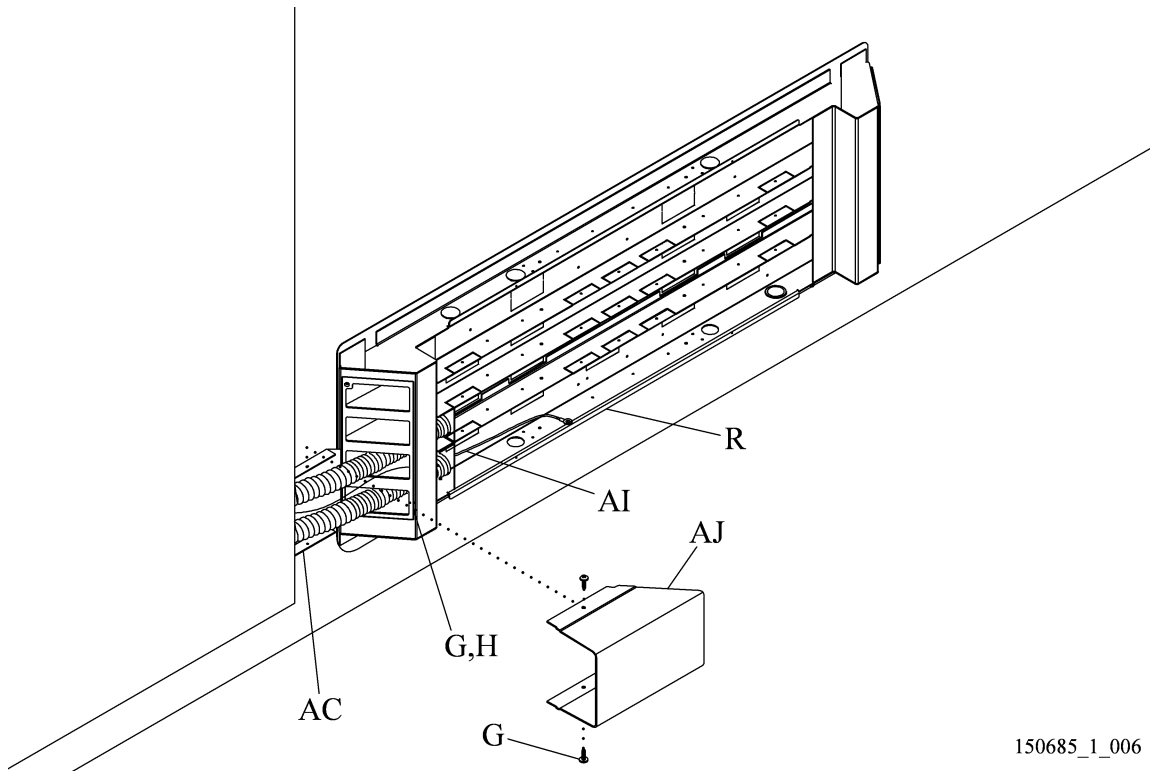
150685\_2\_010

5. The installation is complete for a stand-alone unit or an ImageBuilders® Cabinet Headwall Collection. However, for an installation with a Flatwall Headwall System, or Basis® Headwall System, do one of these:
  - For a Flatwall Headwall System, go to “Flatwall Headwall System Cover” on page 36.
  - For a Basis® Headwall System, go to “Basis® Headwall System Covers” on page 37.

## Flatwall Headwall System Cover

1. Install the two truss head screws (G) to attach the raceway cover (AJ) to the backplate (AC) (see figure 17 on page 36).
2. Install a truss head screw (G) and lockwasher (H) to attach the ground wires (AI) to the backplate assembly (R).
3. The installation is complete.

**Figure 17. Raceway Cover**

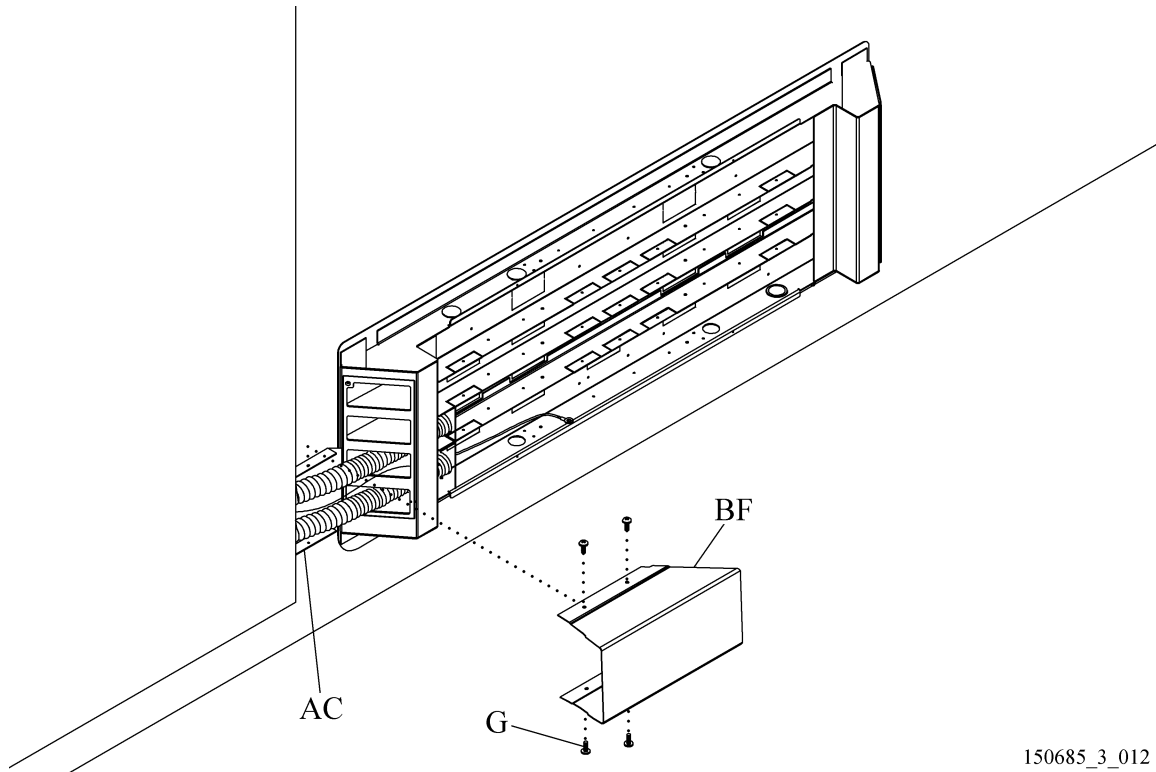


150685\_1\_006

## Basis® Headwall System Covers

1. Install the cover (BF) on the interconnect backplate (AC) (see figure 18 on page 37).
2. Install the four screws (G) to attach the cover (BF) to the interconnect backplate (AC).

**Figure 18. Interconnect Cover**



150685\_3\_012

3. Put the access panel (BD) into position on the headwall frame, and install the four screws (BE) to attach the access panel to the headwall (see figure 10 on page 23).
4. Install the filler strip (BC) to fill in the gap between the bottom access panel (BD) and the panel above it.
5. The installation is complete.

**NOTES:**

---