

**Subject: Bed Locator Blank (P0054A)—Installation Instructions**

---

Tools required:	Drill	1/4" diameter drill bit
	Phillips® <sup>1</sup> screwdriver	Flat tip screwdriver
	5/16" hex nut driver	Tape measure
	4' level	Power screwdriver
	As-built drawings	Stud finder
	Safety glasses	Broom
	Dustpan	Pencil
	Level	

Parts required:	(1) 151812	Bag assembly
	(4) 50590	Screw, tap, oval, Phillips®, #6—20 x 1/2", ZN (Installed on assembled bed locator)
	(4) 16115	Screw, tap, flat, Phillips®, #6—20 x 3/8", ZN (Installed on assembled bed locator)

151812, Bag assembly, includes these items:

(6) 5314301	Screw, self-drilling, hex head, #12—14 x 1.5"
-------------	--

---

1. Phillips is a registered trademark of The Phillips Screw Co.

## Introduction

These instructions are for the installation of the bed locator (P0054A) on an average fire-rated or seismic-rated dry wall.

## Setup

- Before the bed locator installation is started, refer to the as-built drawings to find the correct location for the unit.
- Unpack the contents of the shipping container.
- Read all of these installation instructions and make sure the instructions are in line with supplied hardware and as-built drawings.

## Wall and Construction Type



### WARNING:

Failure to install the headwall system and components in a manner applicable to the wall and construction type could cause the assembly to collapse. Injury or damaged equipment could occur.

The installation procedure for the bed locator will differ for each wall and construction type.

1. Refer to the local and state building codes, and make sure of the wall type and construction type:
  - **Seismic** walls are constructed to prevent damage from an earthquake.
  - **Non-seismic** walls are **not** constructed to prevent damage from an earthquake.
  - **Fire-rated** walls are constructed to prevent the movement of fire.
  - **Non-fire-rated** walls are **not** constructed to prevent the movement of fire.
2. Do one of these:
  - On **seismic** walls, install the wall backplates. Refer to the Office of Statewide Health, Planning, and Development (OSHPD) approved drawings and the as-built drawings.

### NOTE:

For **seismic** construction requirements, phone WittRock Healthcare Technical Support at 800-445-3720.

- For **non-seismic** walls (fire-rated and non-fire-rated), make sure the walls are constructed with at least 20-gauge steel studs 16" (41 cm) between centerlines and have a minimum of 5/8" (16 mm) dry wall.

## Installation Hardware

Find the necessary hardware (see figure 1 on page 3).

**Figure 1. Installation Hardware**



152446\_1\_001

**Table 1: Installation Hardware**

Item	Part Number	Description
A	5314301 <sup>a</sup>	Screw, #12—14 x 1.5", self-drilling, hex head
B	16115	Screw, tap, flat, Phillips® <sup>b</sup> , #6—20 x 3/8", ZN
C	50590	Screw, tap, oval, Phillips®, #6—20 x 1/2", ZN

a. Seismic and/or fire-rated dry wall hardware.

b. Phillips® is a registered trademark of The Phillips Screw Co.

## Install the Bed Locator

1. Refer to the as-built drawings to see how the bed centerline (D) relates to the frame assembly (E) (see figure 2 on page 5).
2. If a finished floor has not been installed, make a mark to show the location of the intended finished floor line (F).
3. Make a plumb vertical bed centerline (D) on the wall to extend 25" (64 cm) up from the floor line (F).
4. Measure 11 11/16" (29.684 cm) from the floor line (F) up the wall, and make a small mark at the bed centerline (D).
5. Extend a plumb line (G) at least 20" (51 cm) on the two sides of the mark to show the intended height of the bottom horizontal edge of the locator frame (E).
6. Remove the face plates (L) and plastic cover (K) from the frame assembly. Retain the screws for future assembly (see figure 3 on page 7).
7. Align the frame assembly (E) with the centerline (D) and plumb line (G) (see figure 2 on page 5).



**WARNING:**

Failure to wear eye protection could cause eye injury.

8. Put on safety glasses.
9. To prepare to fasten the top of the frame assembly (E) to the wall, do these:
  - **Wall Studs**—If the wall has wall studs, make three 0.25" (6.4 mm) diameter mounting holes (H) that align with the studs near the left edge, near the center, and the right edge in the top horizontal member of the frame assembly (E). Find a location free of interference.
  - **Metal Backplate**—If the wall has a metal backplate, make three 0.25" (6.4 mm) diameter mounting holes (H) near the left edge, in the center, and near the right edge in the top horizontal member of the frame assembly (E). Find a location free of interference.

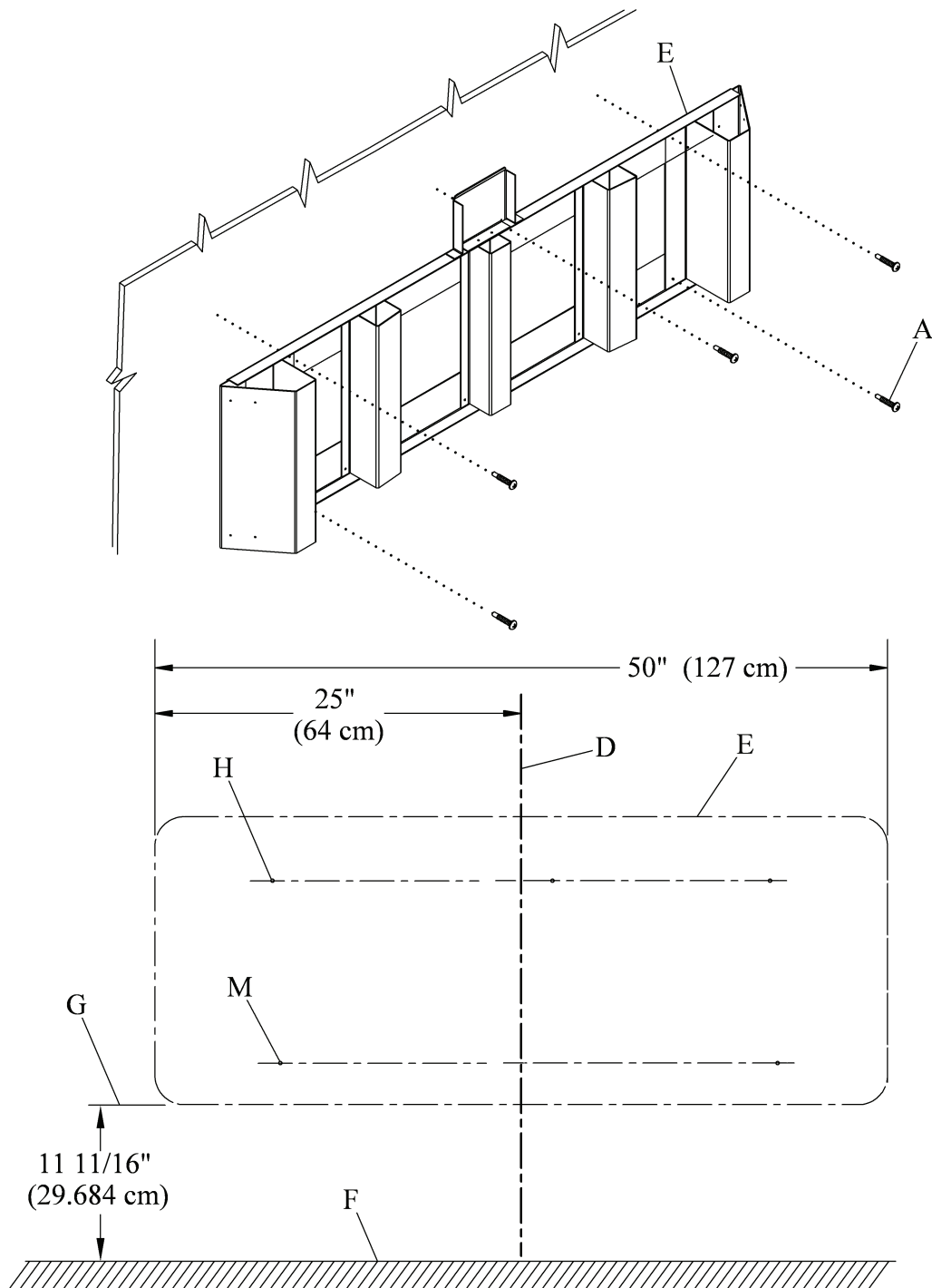


**WARNING:**

Make sure the self-drilling screws go through the wall stud or backplate. Failure to do so could cause injury or damaged equipment.

10. Use three #12 self-drilling screws (A) to attach the top of the frame assembly (E) to the mounting holes (H) in the wall studs or backplate.

**Figure 2. Frame Assembly Installation Dimensions**



152446\_1\_002

11. To prepare to fasten the bottom of the frame assembly (E) to the wall, do these:
  - **Wall Studs**—Find two wall studs that are furthest from the sides of the bed centerline (D) and still in the area of the frame assembly (E), then drill two 0.25" (6.4 mm) diameter holes (M) in the lower horizontal member. Find a location free of interference.
  - **Metal Backplate**—Drill two 0.25" (6.4 mm) diameter holes (M) near the left edge and right edge in the lower horizontal member of the frame assembly (E). Find a location free of interference.



**WARNING:**

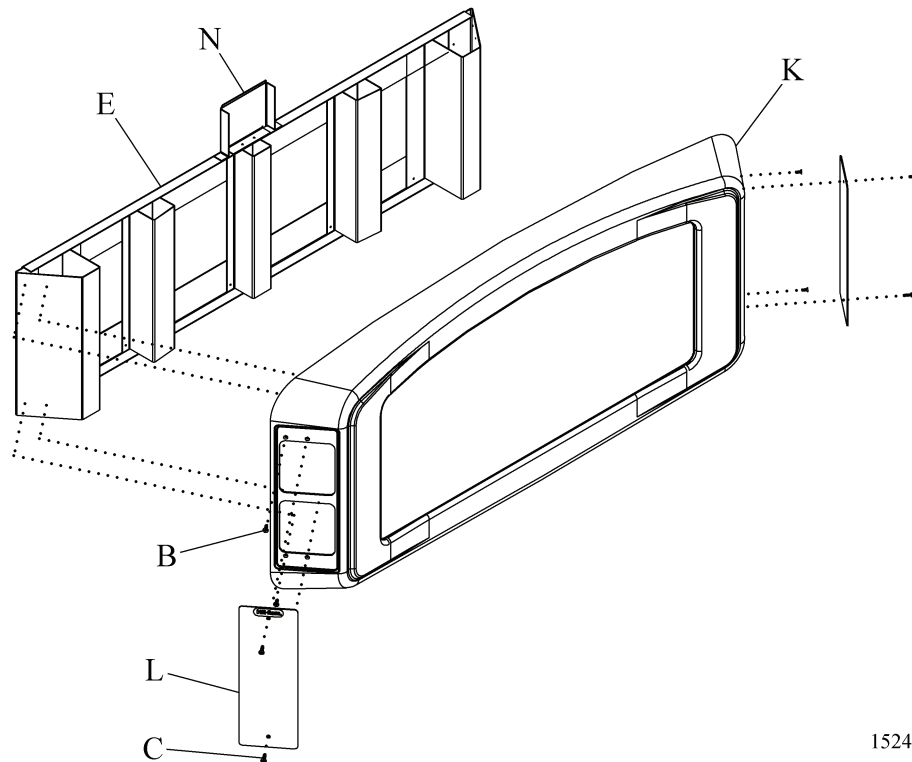
Make sure the self-drilling screws go through the wall stud or backplate. Failure to do so could cause injury or damaged equipment.

12. Install two #12 self-drilling screws (A) to attach the bottom of the frame assembly (E) to the wall studs or backplate.
13. Clean up any debris from the actions of drilling and assembly.

### Install the Cover

1. Press the lip of the plastic cover (K) on to the retaining bracket (N).
2. Use the previously removed screws (B) to install the plastic cover (K) (see figure 3 on page 7).

**Figure 3. Cover Installation**



152446\_2\_003

3. Install the screws (C) through the face plates (L). Install the face plates on each end of the plastic cover (K). The screws (C) will thread into the frame assembly (E).

**NOTES:**

---